

PRO UNI-D CO., LTD.

4 WAY DIRECT-MOUNTING BALL VALVE

Multi-Port Ball Valve (Cavity filled)

ISO5211 Direct-Mounting

Port : L / T / LL

Bore : Regular bore

Size Range : 1/4"~2" (DN8~DN50)

Temperature Range : -20 to 180°C

Working Pressure :

1/4"~1 1/2" (DN8~DN40) 1000PSI

2" (DN50) 800PSI

Seat : PTFE / TFM1600

Stem : Explosion-proof design

Handle : Locking device design

End Connections : ANSI B1.20.1(NPT)/

DIN 259/DIN 2999/ISO 228/BSP/PT



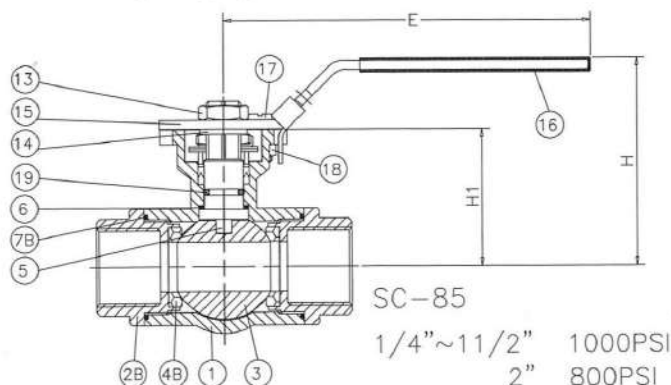
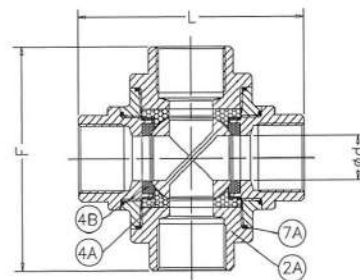
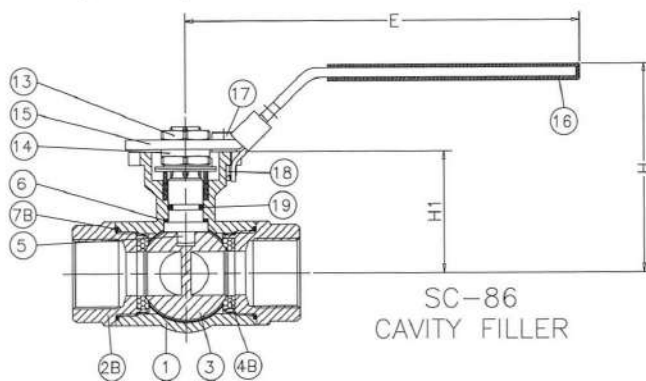
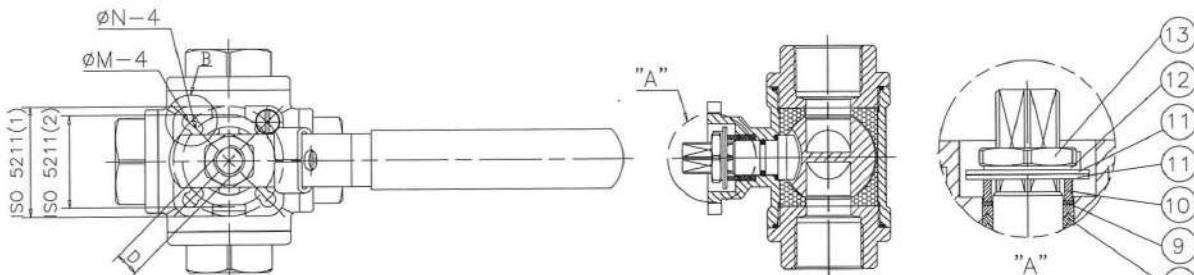
1/4"~1 1/4" 1 1/2"~2"



B (2:1)



B (2:1)



PORT TYPE	1	2	3	4	
T					1/4"~3/8" T-PORT $\phi d = \phi 11$
L					1/4"~3/8" L-PORT $\phi d = \phi 11$
X					1/4"~3/8" X-PORT $\phi d = \phi 8$

PRO UNI-D CO., LTD.

4 WAY DIRECT-MOUNTING BALL VALVE

DIMENSIONS

UNIT:MM

SIZE	d		L	H	D	F	A	N	M	E	H1	ISO 5211	
												(1)	(2)
1/4"	11	8	75.7	68	9	76.5	8.2	6	6	131	36.8	F04	F03
												42	36
3/8"	11	8	75.7	68	9	76.5	8.2	6	6	131	36.8	F04	F03
												42	36
1/2"	12.5		75.7	68	9	76.5	8.2	6	6	131	36.8	F04	F03
												42	36
3/4"	16		86.6	74	9	89.4	9.0	6	6	131	44.1	F04	F03
												42	36
1"	20		103	94	11	101.6	11.5	6	7	184	55.1	F05	F04
												50	42
1 1/4"	25		118.2	100	11	115.4	11.5	6	7	184	60.7	F05	F04
												50	42
1 1/2"	32		125.8	114	14	125.2	15.1	7	9	227	75.2	F07	F05
												70	50
2"	38		149	123	14	148.6	15.1	7	9	227	84.4	F07	F05
												70	50

MATERIAL LIST

NO	PART NAME	MATERIAL	SC-85	SC-86
			QTY	QTY
1	BODY	ASTM A351 Gr.CF8M	1	1
2A	CAP	ASTM A351 Gr.CF8M	2	2
2B	CAP	ASTM A351 Gr.CF8M	2	2
3	BALL	ASTM A351 Gr.CF8M	1	1
4A	BALL SEATS	PTFE		2/1 SETS
4B	BALL SEATS	PTFE	4/1 SETS	2/1 SETS
5	STEM	S.S.316	1	1
6	THRUST WASHER	PTFE	1	1
7A	END SEALS	PTFE	2/1 SETS	2/1 SETS
7B	END SEALS	PTFE	2/1 SETS	2/1 SETS
8	STEM PACKING	PTFE	1 SETS	1 SETS
9	THRUST WASHER	TFM1600	1	1
10	GLAND BUSH	S.S.304	1	1
11	BELLEVILLE WASHER	SUS304-CSP	2	2
12	STOP	S.S.304	1	1
13	HANDLE NUT	S.S.304	2	2
14	WASHER	S.S.304	1	1
15	HANDLE	S.S.304	1	1
16	HANDLE SLEEVE	VINYL GRIP	1	1
17	LEVER STOP	S.S.304	1	1
18	LEVER STOP NUT	S.S.304	1	1
19	O-RING	VITON	1	1