

miT-**uniD**-cns

PRO UNI-D CO., LTD.

BUTTERFLY VALVE



Butterfly Valve 蝶閥



Parts	Butterfly Valve With Gear Operator	Butterfly Valve With Lever
Body	Stainless Steel 304.316 / Ductile Iron (FCD45)	
Disc	Stainless Steel 304.316 / Ductile Iron With Nickel-Plated (N.P)	
Seat	EPDM, NBR, PTFE, VITON	
Stem	Stainless Steel 304.416 / S45C Carbon Steel	
Gear Box	Aluminum Alloy / Cast Iron / Stainless Steel 304	None
Handwheel / Lever (handle)	Stainless Steel 304 / Steel Punching / Aluminum Alloy / Cast Iron	
Pressure (Kgf-cm ²)	10 kgf-cm ²	
Applicable Medium	Water / Sewage / Oil / Air...	
Temperature	-10°C ~ +110°C (depends on seat)	

Product Feature:

- ※ Clear scale that easy to recognize the angle, each scale is about 10 degree.
- ※ The handle and scale plate designed as streamline that make water hard to be kept on handle and not easy rust.
- ※ Small torques design, easy to operate.
- ※ Epoxy coating that resist corrosion.
- ※ FCD body is standard.
- ※ Universal connecting face that available for PN16, PN10, JIS10K, and ANSI150LB (excluded double flange type.)

Using shaft NO.4 stem without pin of connection, driving & reliable sealing of double direction were strengthened and allowing the disc standing freely in the middle of line, and reducing the torque of opening & closing valve and isolating completely media so that eliminate leakage & corrosion. The material of this steam is Stainless Steel 416.

Optional Material:

1. Steel 45# (Chinese Standard)
2. Stainless Steel 304/316
3. Special material according to your inquiry.

Top flange meets the standard of ISO5211 and is fit fitting driving devices such as handle, gearbox, motorized and pneumatic actuators etc.

Using O-gasket, spilt collar and jump ring several advantages:

1. Stop the up steam from moving
2. Easy to dismantle or replace the steam
3. Easy to operate
4. Save time and labour

Using EPDM for seat, can enhance tightness between body and seat. At the same time, it has a lot of advantages as follows:

1. Good finish
 2. Strong flexibility
 3. Widely used
 4. Easy-to-replace
 5. To extend the service life
- Material of seat:
1. NBR
 2. PTFE
 3. VITON
 4. Silicone Rubber
 5. Wear Resistance EPDM special for Desulfurization
 6. High temperature Resistance EPDM
 7. Corrosion Resistance EPDM
 8. Special material according to your inquiry

Bearing bush for Lubrication: PTFE

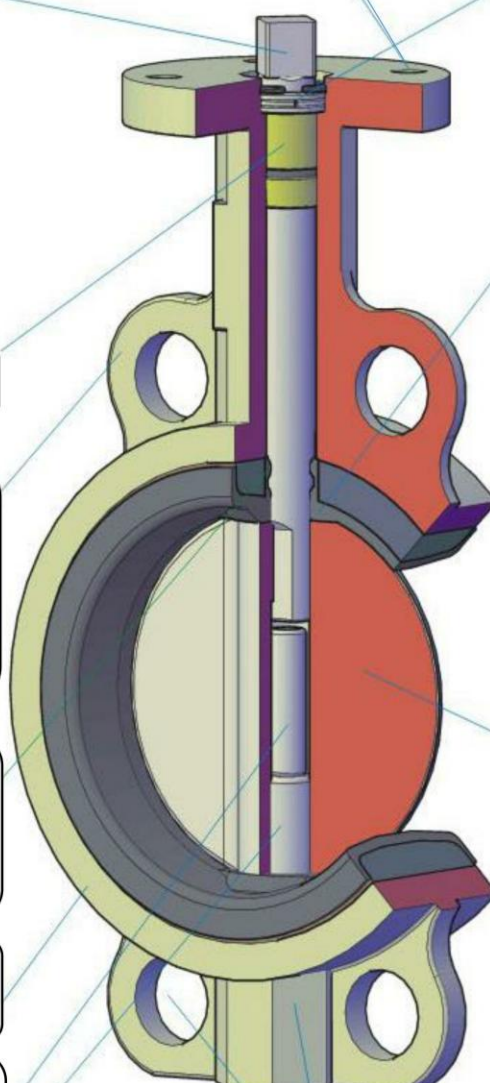
Using advanced technology of surface treatment for casting epoxy indoor & outdoor, coated surface is specious and the performance of proof – corrosion is more superior.

EPDM "O" ring and the –self "O" ring of seat come into being double direction's sealing and preventing media from leakage.

Face to face dimension meets the standard of ISO5752-1988.

Shaft NO.6 can avoid the valve fall off when it is being horizontal installed or inverted installed

One piece shaft NO.6 and above steam can stand automatically in the middle of line to avoid causing leakage because of the error of disc's symmetry.



Optional Material of Body:

1. Cast Iron GG20/GG25
2. Ductile Iron GGG40/GGG45/GGG50
3. Cast steel
4. Stainless Steel 304/316/316L
5. Special material according to your Inquiry

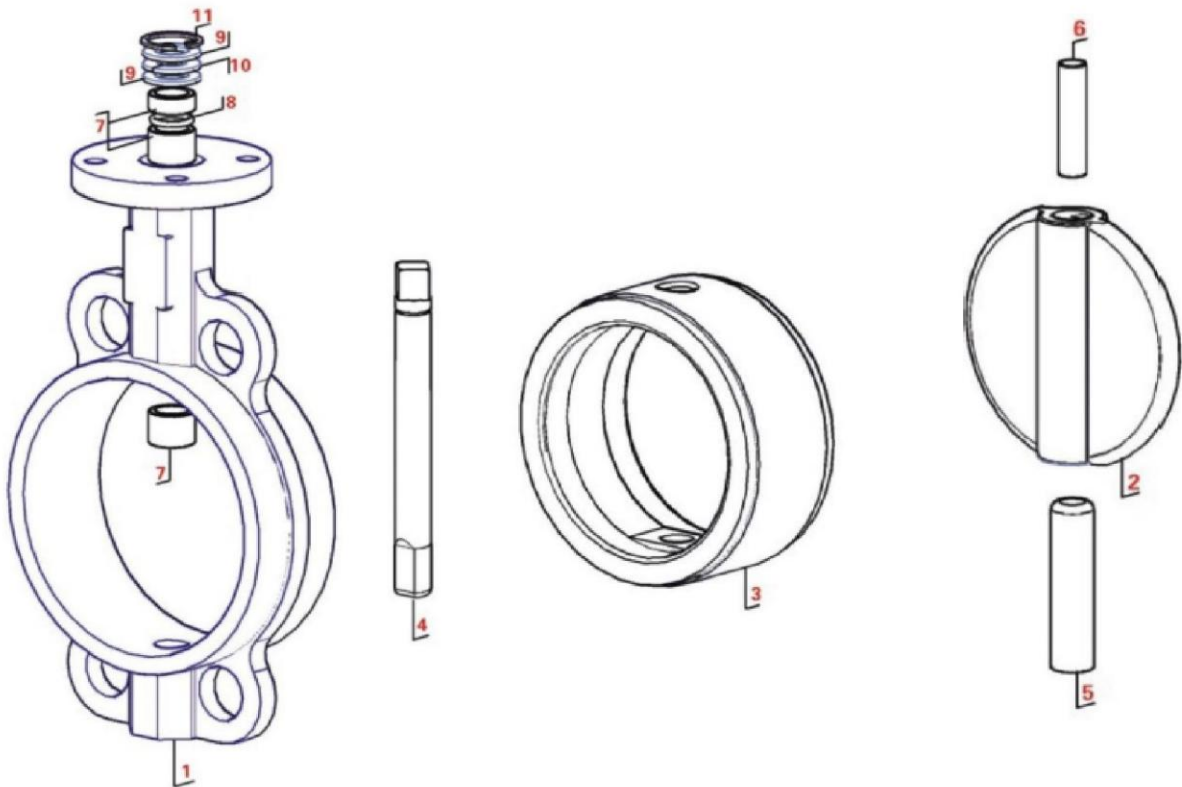
Using SS304 as the material of valve disc. SS304 is one of widely used stainless steel and has good capability in preventing rust and resisting high temperature for the temperature lower than 650°C. Besides, it has advantage in resisting corrosion especially for oxidizing acid, alkali solution, organic acid, inorganic acid, nitric acid which has consistence less than 65% and below boiling temperature. At the same time, it can well avoid granular corrosion.

Flange connection meets the standard of ISO5211

PRO UNI-D CO., LTD.

Name of Main Parts

● Profile Dimensions



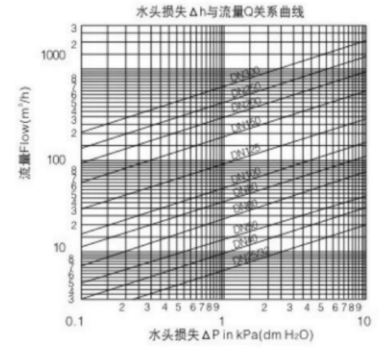
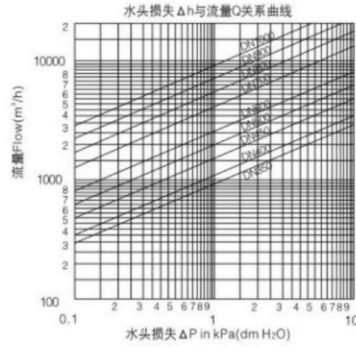
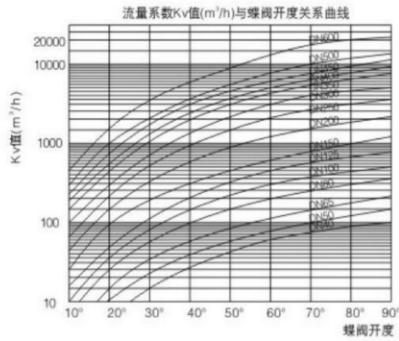
No.	Description	Material
1	Body	FC (FC20), FCD (DI, Ductile Iron, FCD45, QT450), SS304, SS316
2	Disc	FCD (DI, Ductile Iron, FCD45, QT450), Stainless steel 304, 316, Ductile Iron with Nickel-Plated (N.P.)
3	Seat	EPDM, NBR, PTFE, VITON
4	Shaft no.4	Stainless steel 416
5	Shaft no.5	Stainless steel 416
6	Shaft no.6	Stainless steel 201
7	Bearing bush	PTFE
8	O-ring	EPDM
9	O-gasket	Stainless steel 201
10	jump ring	Stainless steel 201
11	Split collar	Manganese steel #50

● Features

- The design is novel, reasonable, unique structure, light weight, rapid opening and closing.
- Small operating torque, easy operation, effort and dexterity.
- Can be installed and maintained at any location.
- The sealing material is resistant to aging, corrosion, and long service life.

PRO UNI-D CO., LTD.

Butterfly Valve Flow Chart And Sealing Pair Materials Table



DIN		Valve opening angle flow Cv value								90°
DN(mm)	(inch)	10°	20°	30°	40°	50°	60°	70°	80°	CV valve
50	2	0.1	5	12	24	45	64	90	125	135
65	2.5	0.2	8	20	37	65	98	144	204	220
80	3	0.3	12	22	39	70	116	183	275	302
100	4	0.5	17	36	78	139	230	364	546	600
125	5	0.8	29	61	133	237	392	620	930	1022
150	6	2	45	95	205	366	605	958	1437	1579
200	8	3	89	188	408	727	1202	1903	2854	3136
250	10	4	151	320	694	1237	2047	3240	4859	5340
300	12	5	234	495	1072	1911	3162	5005	7507	8250
350	14	6	338	715	1549	2761	4568	7230	10844	11917
400	16	8	464	983	2130	3797	6282	9942	14913	16388
450	18	11	615	1302	2822	5028	8320	13168	19752	21705
500	20	14	791	1674	3628	6465	10698	16931	25396	27908
600	24	22	1222	2587	5605	9989	14949	22769	34898	43116

PRO UNI-D CO., LTD.

Optional Materials

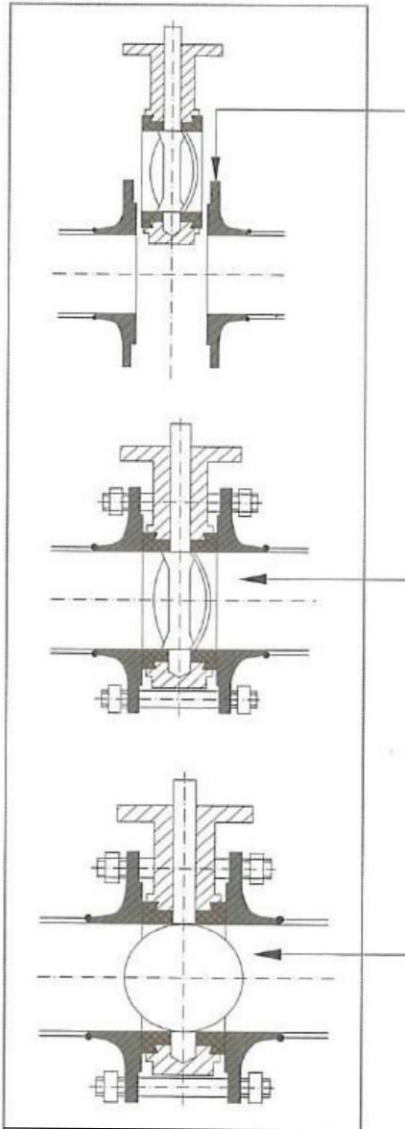
Main Parts	Material	Applicable Size	Main Parts	Material	Applicable Size
Body	Cast Iron	40mm~800mm	Stem	SS410/SS420/SS416/SS304/SS316 Stainless Steel	25mm~1200mm
	Ductile Iron	40mm~1200mm		Carbon Steel Coated by Nickel	40mm~600mm
	Cast Steel	50mm~1000mm	Seat	NBR	25mm~1200mm
	Stainless Steel	25mm~1000mm		EPDM	25mm~1200mm
	Aluminum	50mm~200mm		Fluorine Rubber	40mm~600mm
304/316/316L Stainless Steel	25mm~1200mm	Silicon Rubber		40mm~600mm	
Ductile Iron Coated by Nickel	40mm~1200mm	High-temperature EPDM		25mm~1200mm	
Ductile Iron Coated by Nylon	40mm~1200mm	Wear Resistance EPDM		25mm~1200mm	
Disc	Ductile Iron Coated by Vulcanized Rubber	40mm~600mm	PTFE	40mm~800mm	
	Duplex Stainless Steel 2507/1.4469/1.4529 Special for Desulfurization.	40mm~1200mm			
	Aluminum Bronze	40mm~600mm			

Adopting Standard List

Subject	Adopting Standard	Optional Standard
Design & Manufacture & Acceptance	ISO 10631-1991	GB/T 12238-1989
Face to Face Dimesion	ISO 5752-1988	GB/T 12221-1989
Flange Connection Standard	ISO 7005.2	GB 9113-1988
Inspection Standard	ISO/DIN 5208-1987	GB/T 13927-1992
Valve Sign	ISO 5209-1987	GB 12220-1989
Operation Connection Standard	ISO/DIN 5211-1982	GB 12223-1989
Delivery Standard	-	GB/T 12252

PRO UNI-D CO., LTD.

The correct way to connect:



Keeping the biggest space between two flanges so that the whole valve can enter this space (please open valve a little bit.) the better way will be that one blot was hung at the bottom of valve at first. Then turn up and put whole valve into the space between two flange.

Make the disc to be opened in a small angle (not completely closed) state, put all the bolts, but do not tightened.

Fully open the butterfly valves, and confirmed butterfly valve has been in the middle of pipeline, and operate smoothly, then tightening bolts one by one according to diagonal of flange.

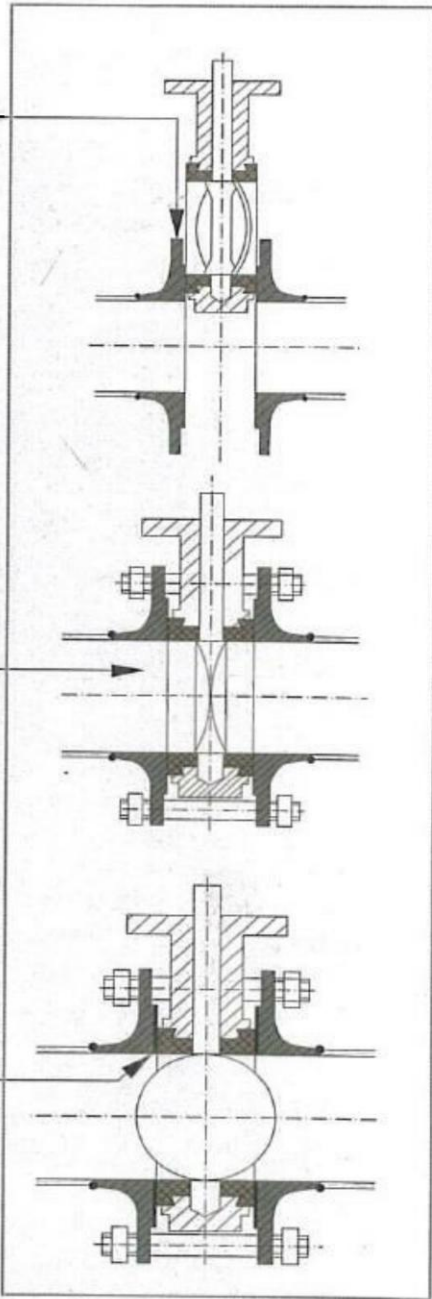
PRO UNI-D CO., LTD.

Incorrect way to connect:

If space is not enough between two flanges, the seat may be damaged or rolled up by flanges.

Screw the flange too tight on the bolt would cause the seat compressed, and butterfly valve are not able to be closed completely, leading to excessive torque of opening and closing and damaging seat.

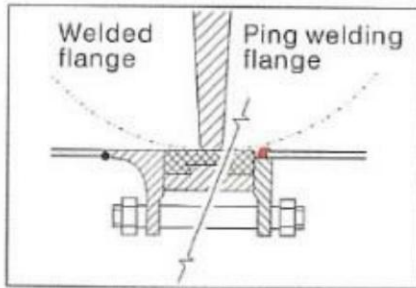
No need to use gaskets and grease.



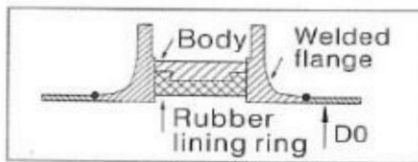
PRO UNI-D CO., LTD.

Main points of installation Butterfly valve

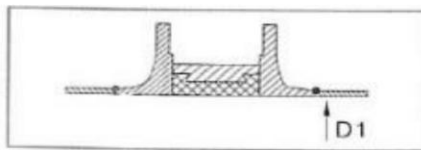
1. Recommend to use butt welding flange of connecting. Do not use flat welding flange, because steel pipe will touch the disc and affect its opening and closing.



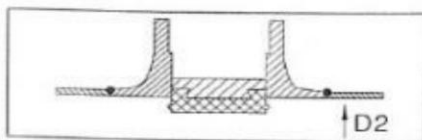
2. The inner diameter of flange can't be too small or too big and must confirm the dimension of flange so that the disc can turn smoothly.



D0: The size of connecting flange is too smaller than the disc of butterfly valve, it will affect the operating of disc.



D1: Best flange (in) diameter

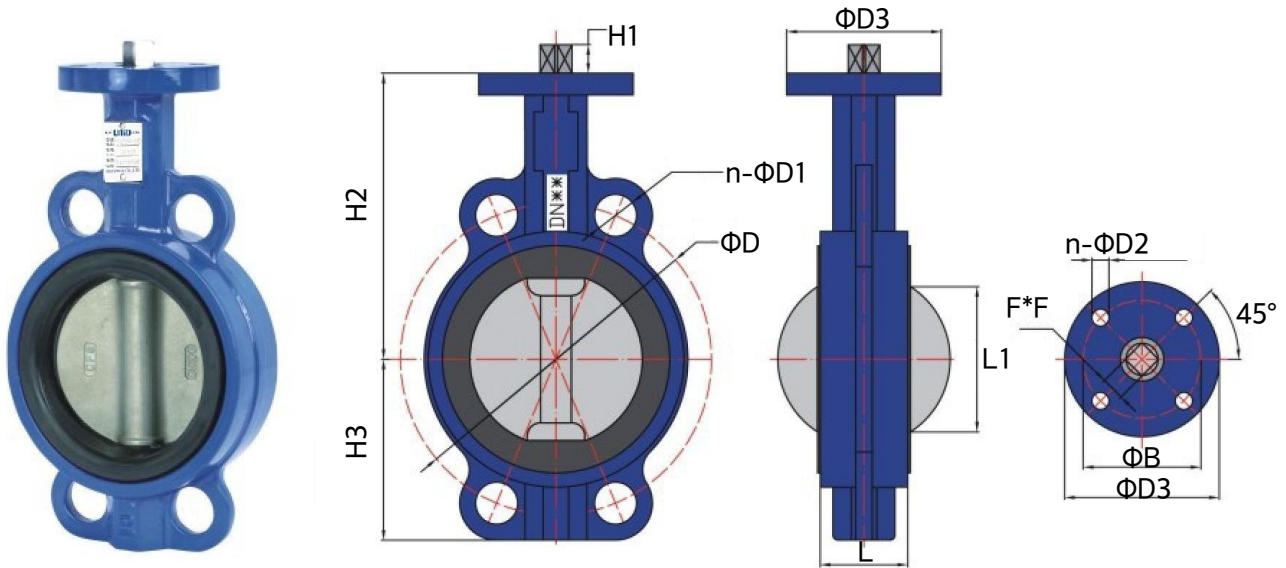


D2: The size of connecting flange is too bigger than the disc of butterfly valve, it may defective tightness of sealing.

3. To avoid scalding the seat, do not weld flange after the butterfly valve was installed in pipe.

PRO UNI-D CO., LTD.

WAFER TYPE BARE SHAFT BUTTERFLY VALVE WITH BACK SEAT



● Main contour and connection size

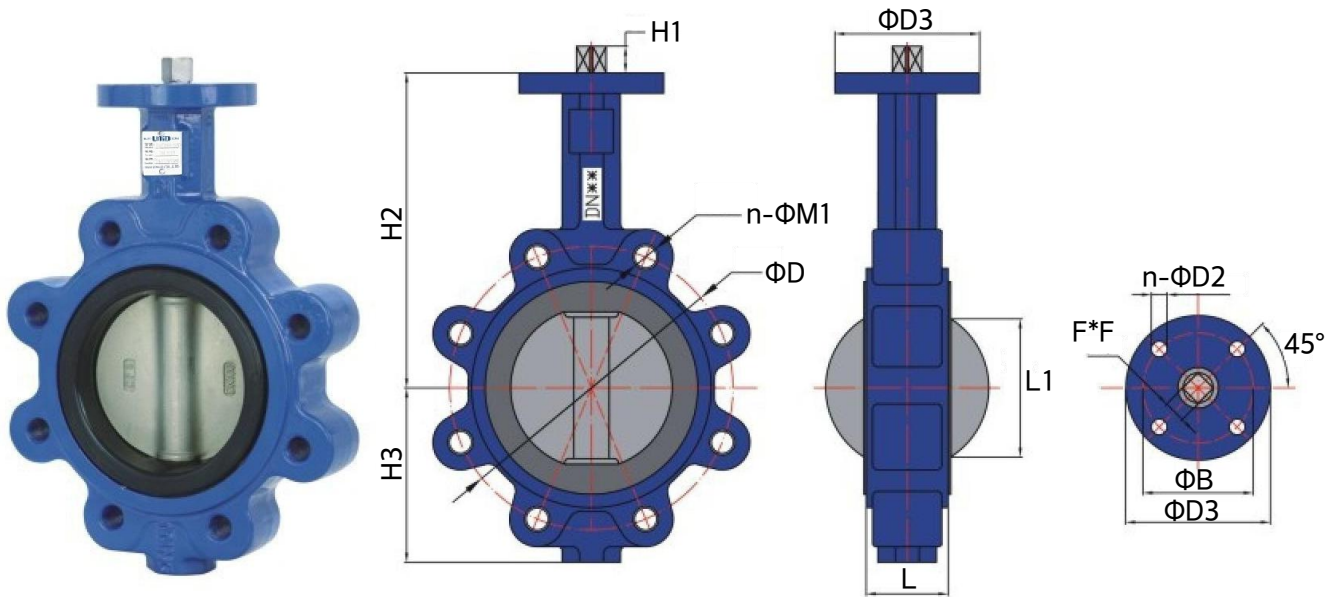
Unit : mm

Size	JIS10K/PN16		n-ΦD2	ΦD3	ΦB	H1	H2	H3	F*F	L	L1	KG
	ΦD	n-ΦD1										
DN50	120	4-Φ 19	4-Φ 7	72	50	11	130	70	11*11	42	32	2.00
	125	4-Φ 19										
DN65	140	4-Φ 19	4-Φ 7	72	50	11	143	80	11*11	45	47	2.48
	145	4-Φ 19										
DN80	150	8-Φ 19	4-Φ 7	72	50	11	155	94	11*11	45	65	3.07
	160	8-Φ 19										
DN100	175	8-Φ 19	4-Φ 10	92	70	14	170	108	14*14	52.1	91	4.49
	180	8-Φ 19										
DN125	210	8-Φ 23	4-Φ 10	92	70	17	190	122	17*17	55	112	5.66
	210	8-Φ 19										
DN150	240	8-Φ 23	4-Φ 10	92	70	17	210	134	17*17	56	146	6.98
	240	8-Φ 23										
DN200	290	12-Φ 23	4-Φ 12	125	102	22	243	167	22*22	61	194	11.95
	295	12-Φ 23										
DN250	355	12-Φ 25	4-Φ 12	125	102	22	282	203	22*22	66	242	18.75
	355	12-Φ 28										
DN300	400	16-Φ 25	4-Φ 14	150	125	27	310	241	27*27	77	292	29.44
	410	12-Φ 28										
DN350	445	16-Φ 25	4-Φ 14	150	125	27	353	267	27*27	77	325	37.50
	470	16-Φ 28										
DN400	510	16-Φ 27	4-Φ 18	175	140	40	403	303	36*36	87	380	58.60
	525	16-Φ 31										
DN450	565	20-Φ 27	4-Φ 18	175	140	40	430	325	36*36	105	428	73.60
	585	20-Φ 31										
DN500	620	20-Φ 27	4-Φ 22	210	165	50	481	356	46*46	130	474	97.00
	650	20-Φ 34										
DN600	730	24-Φ 33	4-Φ 22	210	165	50	561	452	46*46	152	573	197.00
	770	20-Φ 37										

Universal connecting interface: PN10, PN16, ANSI150LB & JIS10K for DN50~ DN300.

PRO UNI-D CO., LTD.

LUG TYPE BARE SHAFT BUTTERFLY VALVE WITH BACK SEAT



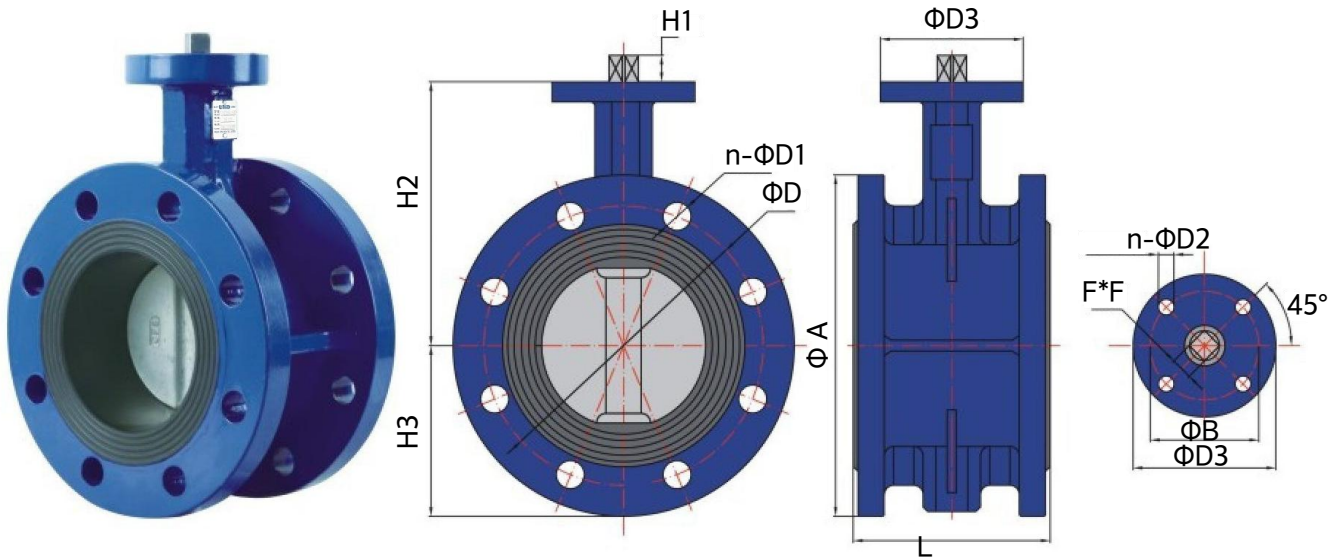
● Main contour and connection size

Unit : mm

Size	JIS10K/PN16		n-ΦD2	ΦD3	ΦB	H1	H2	H3	F*F	L	L1	KG
	ΦD	n-ΦM1										
DN50	120	4-Φ M16	4-Φ 7	72	50	11	130	70	11*11	42	32	3.20
	125	4-Φ M16										
DN65	140	4-Φ M16	4-Φ 7	72	50	11	143	80	11*11	45	47	4.16
	145	4-Φ M16										
DN80	150	8-Φ M16	4-Φ 7	72	50	11	155	94	11*11	45	65	4.41
	160	8-Φ M16										
DN100	175	8-Φ M16	4-Φ 10	92	70	14	170	108	14*14	52.1	91	7.31
	180	8-Φ M16										
DN125	210	8-Φ M20	4-Φ 10	92	70	17	190	122	17*17	55	112	9.78
	210	8-Φ M16										
DN150	240	8-Φ M20	4-Φ 10	92	70	17	210	134	17*17	56	146	11.15
	240	8-Φ M20										
DN200	290	12-Φ M20	4-Φ 12	125	102	22	243	178	22*22	61	194	18.61
	295	12-Φ M20										
DN250	355	12-Φ M22	4-Φ 12	125	102	22	282	208	22*22	66	242	28.04
	355	12-Φ M24										
DN300	400	16-Φ M22	4-Φ 14	150	125	27	310	246	27*27	77	292	44.05
	410	12-Φ M24										
DN350	445	16-Φ M22	4-Φ 14	150	125	27	372	270	27*27	77	325	59.50
	470	16-Φ M24										
DN400	510	16-Φ M24	4-Φ 18	175	140	40	400	297	36*36	87	380	94.00
	525	16-Φ M27										
DN450	565	20-Φ M24	4-Φ 18	175	140	40	422	318	36*36	105	428	116.50
	585	20-Φ M27										
DN500	620	20-Φ M24	4-Φ 22	210	165	50	480	348	46*46	130	474	145.00
	650	20-Φ M30										
DN600	730	24-Φ M30	4-Φ 22	210	165	50	562	444	46*46	152	573	244.30
	770	20-Φ M33										

PRO UNI-D CO., LTD.

FLANGE TYPE BARE SHAFT BUTTERFLY VALVE



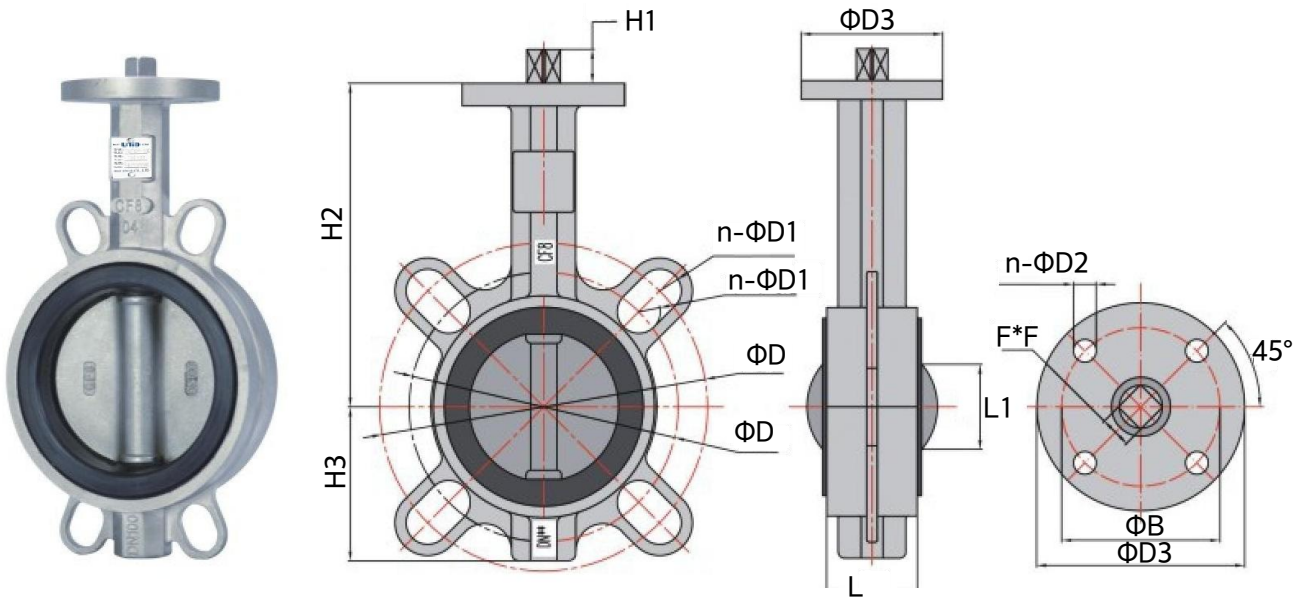
● Main contour and connection size

Unit : mm

Size	JIS10K/PN16		n-ΦD2	ΦD3	ΦB	H1	H2	H3	F*F	L	ΦA	KG
	ΦD	n-ΦD1										
DN50	120	4-Φ 19	4-Φ 7	72	50	11	130	82.5	11*11	110	165	6.41
	125	4-Φ 19										
DN65	140	4-Φ 19	4-Φ 7	72	50	11	143	93	11*11	114	185	8.33
	145	4-Φ 19										
DN80	150	8-Φ 19	4-Φ 7	72	50	11	155	100	11*11	116	200	9.24
	160	8-Φ 19										
DN100	175	8-Φ 19	4-Φ 10	92	70	14	170	110	14*14	129	220	11.70
	180	8-Φ 19										
DN125	210	8-Φ 23	4-Φ 10	92	70	17	190	125	17*17	142	250	17.69
	210	8-Φ 19										
DN150	240	8-Φ 23	4-Φ 10	92	70	17	210	143	17*17	142	285	19.68
	240	8-Φ 23										
DN200	290	12-Φ 23	4-Φ 12	125	102	22	243	170	22*22	154	340	31.65
	295	12-Φ 23										
DN250	355	12-Φ 25	4-Φ 12	125	102	22	282	203	22*22	167	405	44.32
	355	12-Φ 28										
DN300	400	16-Φ 25	4-Φ 14	150	125	27	310	230	27*27	180	460	63.02
	410	12-Φ 28										
DN350	445	16-Φ 25	4-Φ 14	150	125	27	353	260	27*27	192	520	80.80
	470	16-Φ 28										
DN400	510	16-Φ 27	4-Φ 18	175	140	40	340	278	36*36	218	580	91.30
	525	16-Φ 31										
DN450	565	20-Φ 27	4-Φ 18	175	140	40	375	315	36*36	224	640	136.80
	585	20-Φ 31										
DN500	620	20-Φ 27	4-Φ 22	210	165	50	430	348	46*46	231	715	194.30
	650	20-Φ 34										
DN600	730	24-Φ 33	4-Φ 22	210	165	50	500	410	46*46	270	840	261.80
	770	20-Φ 37										

PRO UNI-D CO., LTD.

WAFER TYPE SS BARE SHAFT BUTTERFLY VALVE



● Main contour and connection size

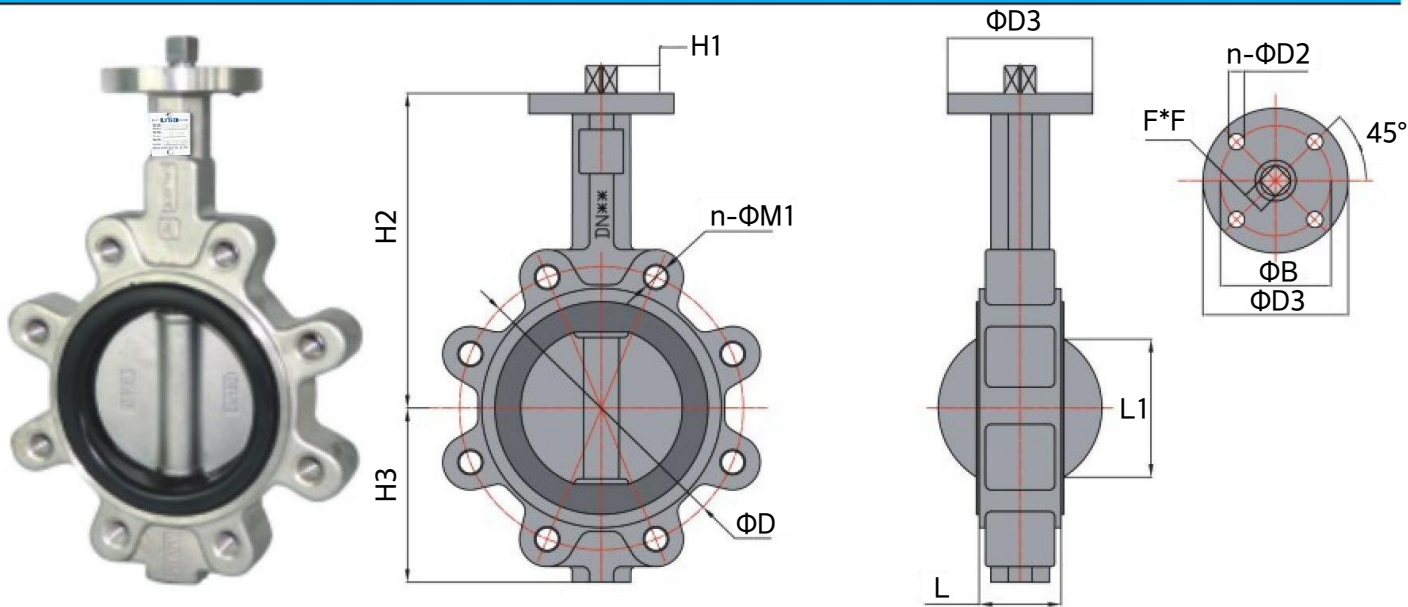
Unit : mm

Size	JIS10K/PN16		n-ΦD2	ΦD3	ΦB	H1	H2	H3	F*F	L	L1	KG
	ΦD	n-ΦD1										
DN50	120	4-Φ 19	4-Φ 7	72	50	11	130	59	11*11	42	32	1.66
	125	4-Φ 19										
DN65	140	4-Φ 19	4-Φ 7	72	50	11	143	68	11*11	45	47	1.98
	145	4-Φ 19										
DN80	150	8-Φ 19	4-Φ 7	72	50	11	155	89	11*11	45	65	2.41
	160	8-Φ 19										
DN100	175	8-Φ 19	4-Φ 10	92	70	14	170	103	14*14	52.1	91	3.87
	180	8-Φ 19										
DN125	210	8-Φ 23	4-Φ 10	92	70	17	190	117	17*17	55	112	5.41
	210	8-Φ 19										
DN150	240	8-Φ 23	4-Φ 10	92	70	17	210	130	17*17	56	146	7.00
	240	8-Φ 23										
DN200	290	12-Φ 23	4-Φ 12	125	102	22	243	164	22*22	61	194	11.95
	295	12-Φ 23										
DN250	355	12-Φ 25	4-Φ 12	125	102	22	282	195	22*22	66	242	18.81
	355	12-Φ 28										
DN300	400	16-Φ 25	4-Φ 14	150	125	27	310	232	27*27	77	292	27.82
	410	12-Φ 28										
DN350	445	16-Φ 25	4-Φ 14	150	125	27	353	277.6	27*27	77	325	37.50
	470	16-Φ 28										
DN400	510	16-Φ 27	4-Φ 18	175	140	40	379.5	312.5	36*36	87	380	58.60
	525	16-Φ 31										
DN450	565	20-Φ 27	4-Φ 18	175	140	40	417	330	36*36	105	428	73.60
	585	20-Φ 31										
DN500	620	20-Φ 27	4-Φ 22	210	165	50	467.5	381.5	46*46	130	474	97.00
	650	20-Φ 34										
DN600	730	24-Φ 33	4-Φ 22	210	165	50	562	459	46*46	152	573	197.00
	770	20-Φ 37										

Universal connecting interface: PN10, PN16, ANSI150LB & JIS10K for DN50~ DN300.

PRO UNI-D CO., LTD.

LUG TYPE SS BARE SHAFT BUTTERFLY VALVE



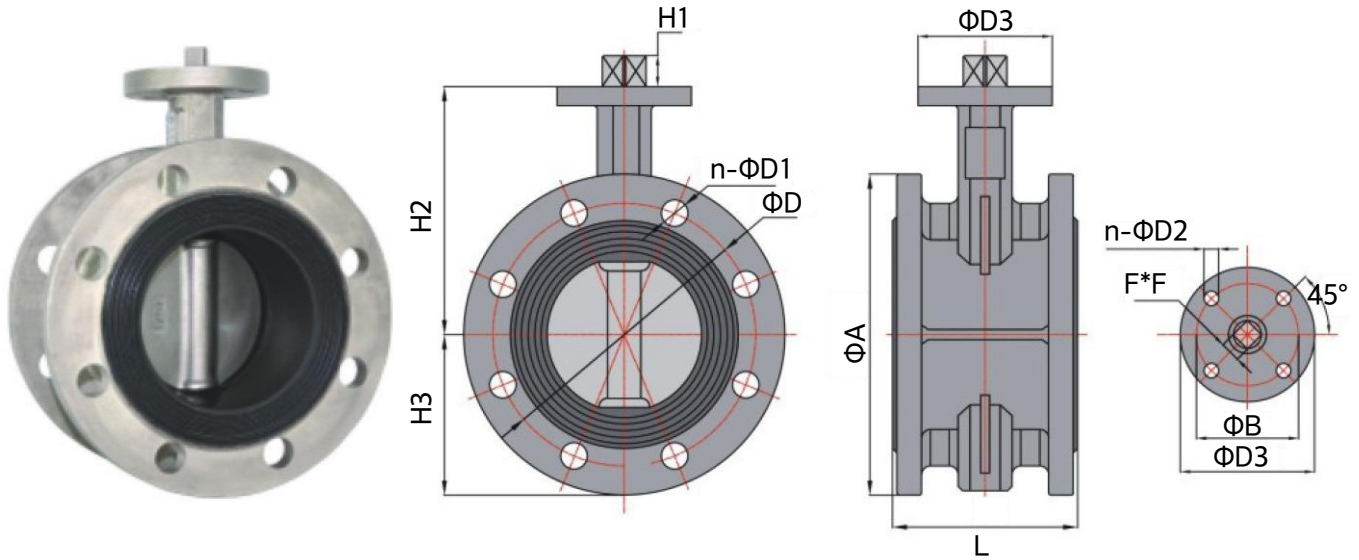
● Main contour and connection size

Unit : mm

Size	JIS10K/PN16		n-ΦD2	ΦD3	ΦB	H1	H2	H3	F*F	L	L1
	ΦD	n-ΦM1									
DN50	120	4-Φ M16	4-Φ 7	72	50	11	156	80	11*11	42	32
	125	4-Φ M16									
DN65	140	4-Φ M16	4-Φ 7	72	50	11	162	89	11*11	45	47
	145	4-Φ M16									
DN80	150	8-Φ M16	4-Φ 7	72	50	11	170	95	11*11	45	65
	160	8-Φ M16									
DN100	175	8-Φ M16	4-Φ 10	92	70	14	185	114	14*14	52.1	91
	180	8-Φ M16									
DN125	210	8-Φ M20	4-Φ 10	92	70	17	207	127	17*17	55	112
	210	8-Φ M16									
DN150	240	8-Φ M20	4-Φ 10	92	70	17	216	139	17*17	56	146
	240	8-Φ M20									
DN200	290	12-Φ M20	4-Φ 12	125	102	22	256	175	22*22	61	194
	295	12-Φ M20									
DN250	355	12-Φ M22	4-Φ 12	125	102	22	292	203	22*22	66	242
	355	12-Φ M24									
DN300	400	16-Φ M22	4-Φ 14	150	125	27	337	242	27*27	77	292
	410	12-Φ M24									
DN350	445	16-Φ M22	4-Φ 14	150	125	27	368	267	27*27	77	325
	470	16-Φ M24									
DN400	510	16-Φ M24	4-Φ 18	175	140	40	382.5	314.5	36*36	87	380
	525	16-Φ M27									
DN450	565	20-Φ M24	4-Φ 18	175	140	40	420	310	36*36	105	428
	585	20-Φ M27									
DN500	620	20-Φ M24	4-Φ 22	210	165	50	480	350	46*46	130	474
	650	20-Φ M30									
DN600	730	24-Φ M30	4-Φ 22	210	165	50	560	440	46*46	152	573
	770	20-Φ M33									

PRO UNI-D CO., LTD.

FLANGE TYPE SS BARE SHAFT BUTTERFLY VALVE



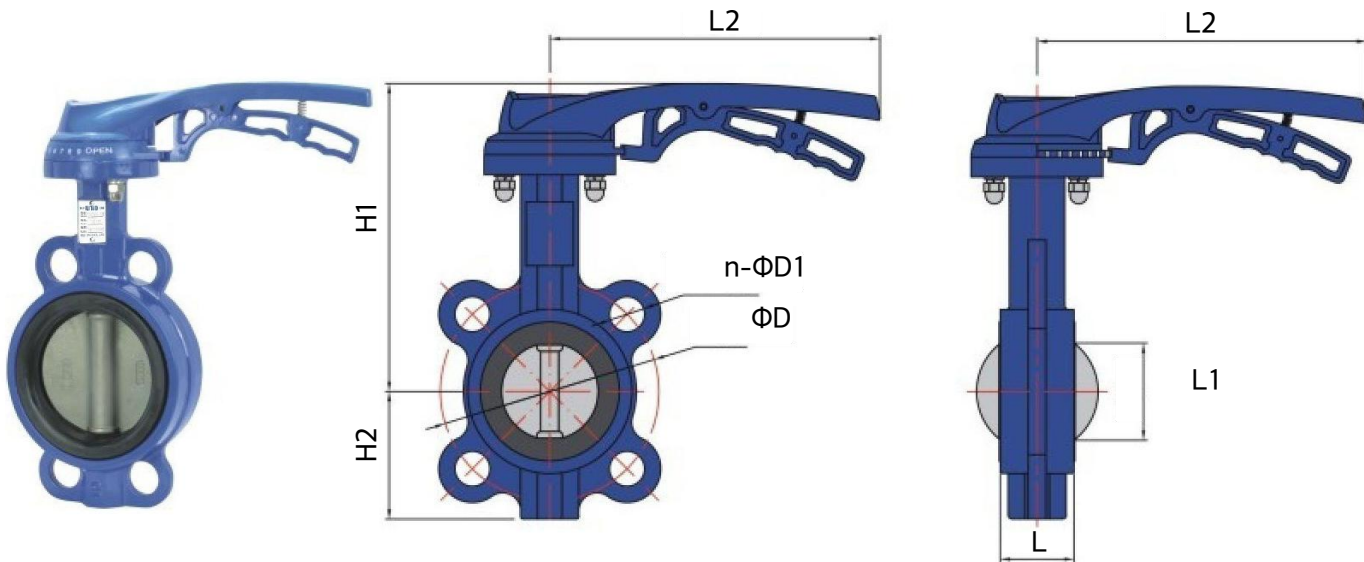
● Main contour and connection size

Unit : mm

Size	JIS10K/PN16		n-ΦD2	ΦD3	ΦB	H1	H2	H3	F*F	L	ΦA	KG
	ΦD	n-ΦD1										
DN50	120	4-Φ 19	4-Φ 7	72	50	11	130	82.5	11*11	110	165	9.10
	125	4-Φ 19										
DN65	140	4-Φ 19	4-Φ 7	72	50	11	143	93	11*11	114	185	10.32
	145	4-Φ 19										
DN80	150	8-Φ 19	4-Φ 7	72	50	11	155	100	11*11	116	200	12.00
	160	8-Φ 19										
DN100	175	8-Φ 19	4-Φ 10	92	70	14	170	110	14*14	129	220	15.91
	180	8-Φ 19										
DN125	210	8-Φ 23	4-Φ 10	92	70	17	190	125	17*17	142	250	20.39
	210	8-Φ 19										
DN150	240	8-Φ 23	4-Φ 10	92	70	17	210	143	17*17	142	285	27.29
	240	8-Φ 23										
DN200	290	12-Φ 23	4-Φ 12	125	102	22	243	170	22*22	154	340	38.95
	295	12-Φ 23										
DN250	355	12-Φ 25	4-Φ 12	125	102	22	282	203	22*22	167	405	61.92
	355	12-Φ 28										
DN300	400	16-Φ 25	4-Φ 14	150	125	27	310	230	27*27	180	460	80.50
	410	12-Φ 28										
DN350	445	16-Φ 25	4-Φ 14	150	125	27	348	252.5	27*27	192	520	/
	470	16-Φ 28										
DN400	510	16-Φ 27	4-Φ 18	175	140	40	375	282.5	36*36	218	580	/
	525	16-Φ 31										
DN450	565	20-Φ 27	4-Φ 18	175	140	40	444	307.5	36*36	224	640	/
	585	20-Φ 31										
DN500	620	20-Φ 27	4-Φ 22	210	165	50	430	335	46*46	231	715	/
	650	20-Φ 34										
DN600	730	24-Φ 33	4-Φ 22	210	165	50	474	390	46*46	270	840	/
	770	20-Φ 37										

PRO UNI-D CO., LTD.

WAFER TYPE LEVER BUTTERFLY VALVE WITH BACK SEAT



● Main contour and connection size

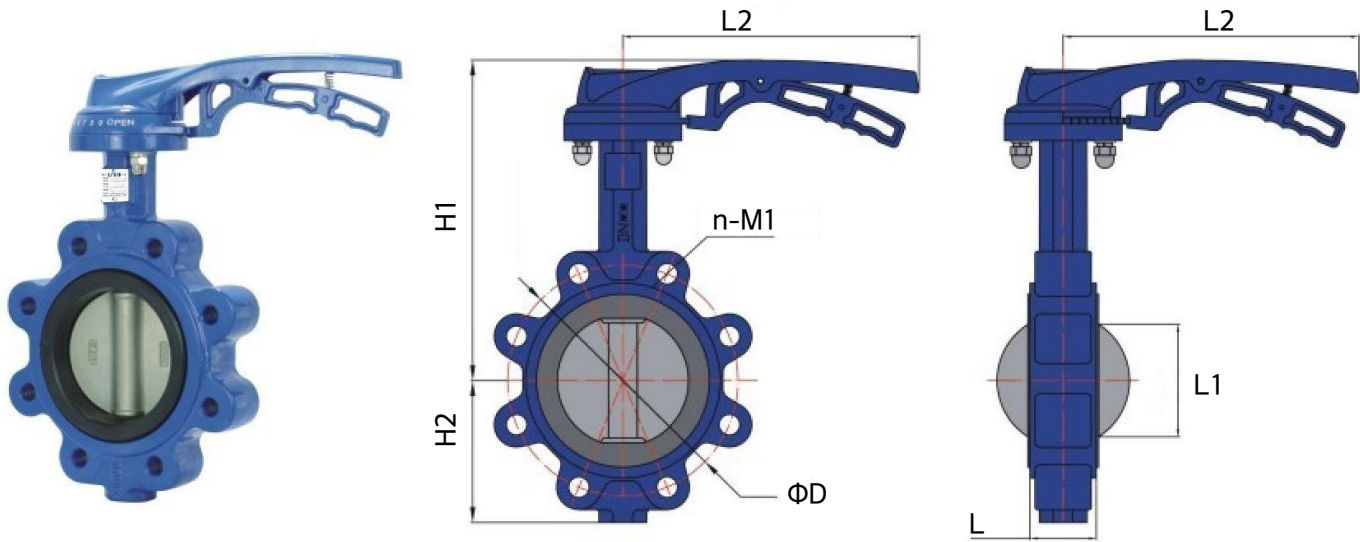
Unit : mm

Size	JIS10K/PN16		H1	H2	L	L1	L2	KG
	ΦD	n-ΦD1						
DN50	120	4-Φ 19	183	70	42	32	176	2.36
	125	4-Φ 19						
DN65	140	4-Φ 19	196	80	45	47	176	2.85
	145	4-Φ 19						
DN80	150	8-Φ 19	208	94	45	65	176	3.44
	160	8-Φ 19						
DN100	175	8-Φ 19	232	108	52.1	91	215	5.06
	180	8-Φ 19						
DN125	210	8-Φ 23	252	122	55	112	260	6.34
	210	8-Φ 19						
DN150	240	8-Φ 23	272	134	56	146	260	7.65
	240	8-Φ 23						

Universal connecting interface: PN10, PN16, ANSI150LB & JIS10K for DN50~ DN300.

PRO UNI-D CO., LTD.

LUG TYPE LEVER BUTTERFLY VALVE WITH BACK SEAT



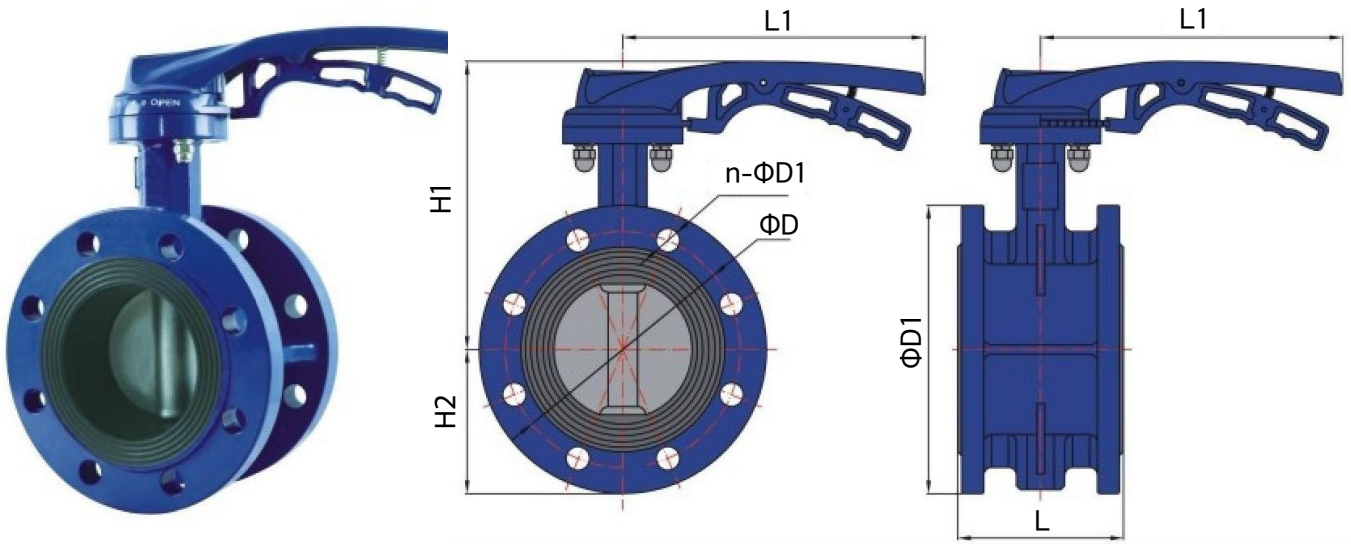
●主要外形及連接尺寸Main contour and connection size

單位 Unit : mm

規格 Size	JIS10K/PN16		H1	H2	L	L1	L2	單重 KG
	ΦD	n-ΦM1						
DN50	120	4-M16	183	70	42	32	176	3.57
	125	4-M16						
DN65	140	4-M16	196	80	45	47	176	4.53
	145	4-M16						
DN80	150	8-M16	208	94	45	65	176	4.78
	160	8-M16						
DN100	175	8-M16	232	108	52.1	91	215	7.88
	180	8-M16						
DN125	210	8-M20	252	122	55	112	260	10.45
	210	8-M16						
DN150	240	8-M20	272	134	56	146	260	11.83
	240	8-M20						

PRO UNI-D CO., LTD.

FLANGE TYPE LEVER BUTTERFLY VALVE WITH HANDLE



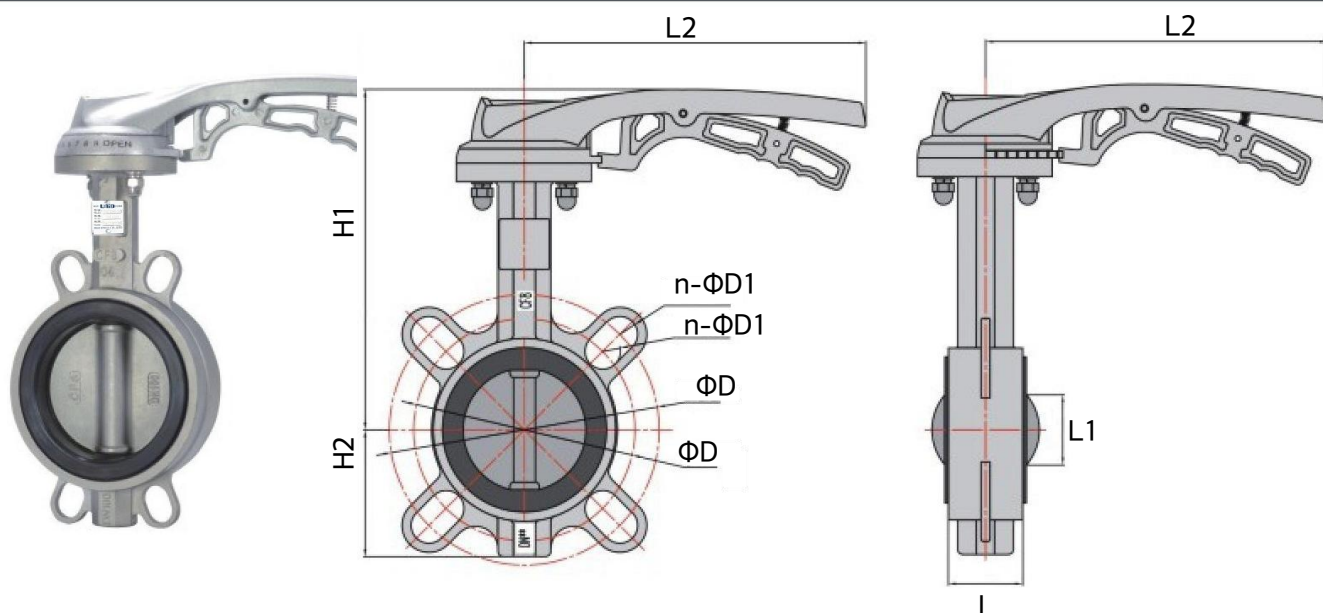
● Main contour and connection size

Unit : mm

Size	JIS10K/PN16		H1	H2	L	ΦD1	L1	KG
	ΦD	n-ΦD1						
DN50	120	4-Φ 19	183	82.5	110	165	176	6.78
	125	4-Φ 19						
DN65	140	4-Φ 19	196	93	114	185	176	8.70
	145	4-Φ 19						
DN80	150	8-Φ 19	208	100	116	200	176	9.60
	160	8-Φ 19						
DN100	175	8-Φ 19	232	110	129	220	215	12.27
	180	8-Φ 19						
DN125	210	8-Φ 23	252	125	142	250	260	18.36
	210	8-Φ 19						
DN150	240	8-Φ 23	272	143	142	285	260	20.36
	240	8-Φ 23						

PRO UNI-D CO., LTD.

WAFER TYPE SS LEVER BUTTERFLY VALVE WITH BACK SEAT



● Main contour and connection size

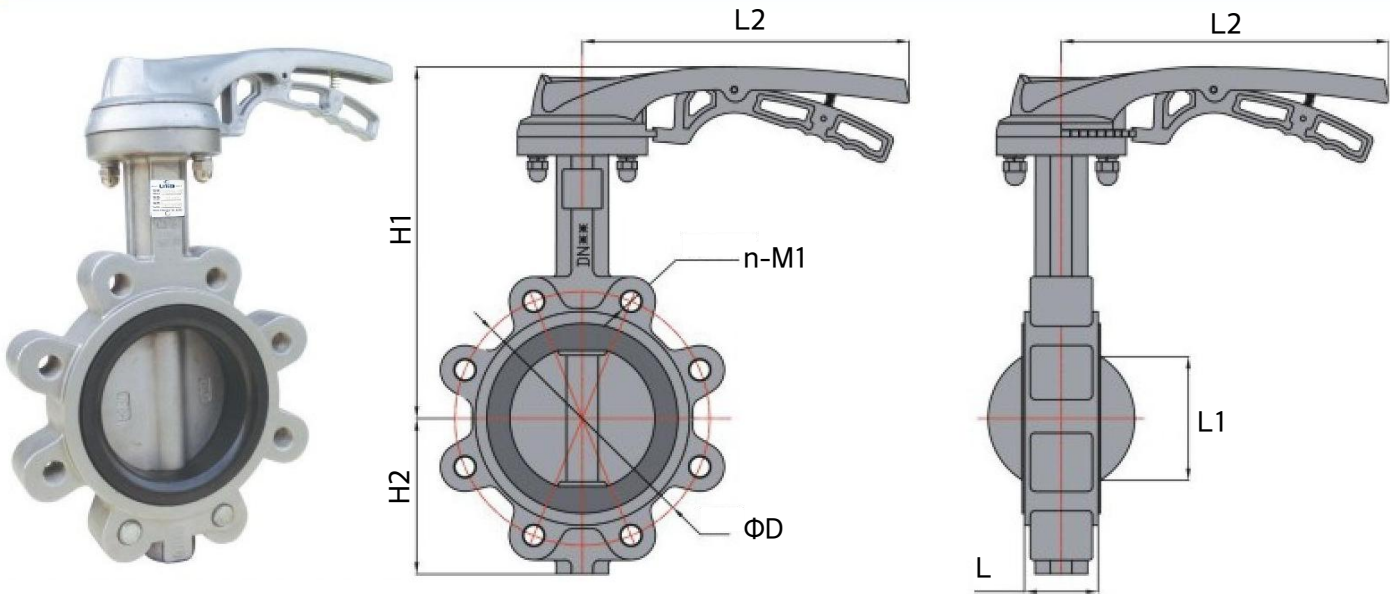
Unit : mm

Size	JIS10K/PN16		H1	H2	L	L1	L2	KG
	ΦD	n-ΦD1						
DN50	120	4-Φ 19	183	59	42	32	176	2.03
	125	4-Φ 19						
DN65	140	4-Φ 19	196	68	45	47	176	2.35
	145	4-Φ 19						
DN80	150	8-Φ 19	208	89	45	65	176	2.78
	160	8-Φ 19						
DN100	175	8-Φ 19	232	103	52.1	91	215	4.44
	180	8-Φ 19						
DN125	210	8-Φ 23	252	117	55	112	260	6.08
	210	8-Φ 19						
DN150	240	8-Φ 23	272	130	56	146	260	7.68
	240	8-Φ 23						

Universal connecting interface: PN10, PN16, ANSI150LB & JIS10K for DN50~ DN300.

PRO UNI-D CO., LTD.

LUG TYPE SS LEVER BUTTERFLY VALVE WITH BACK SEAT



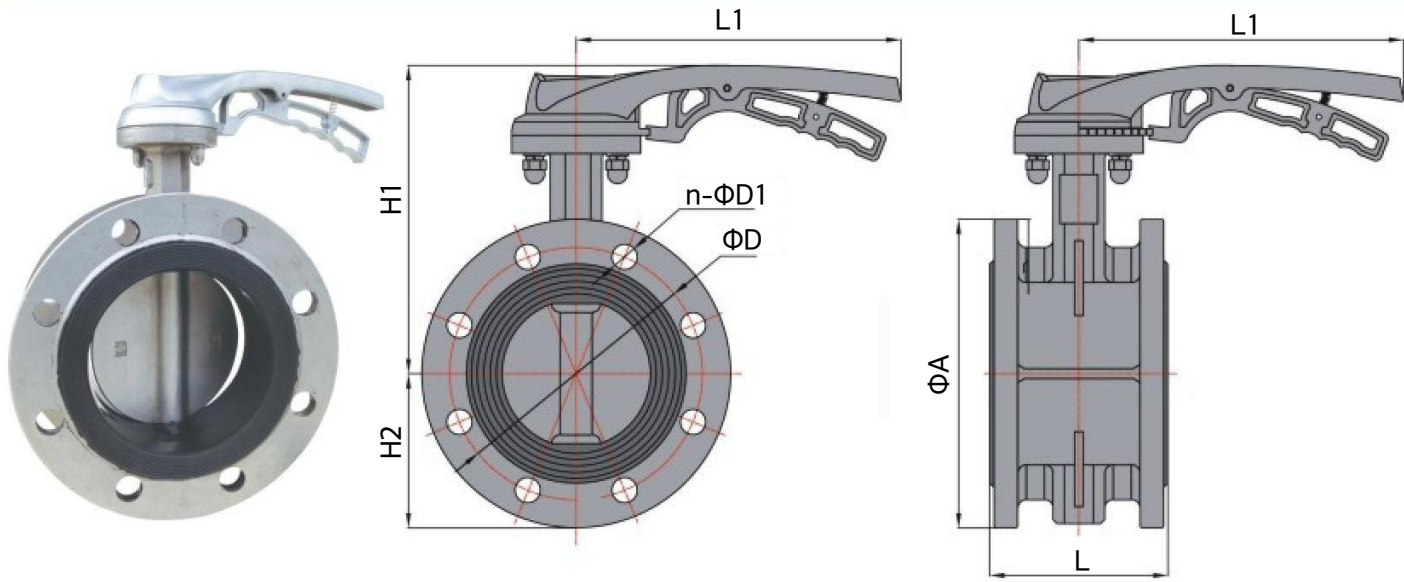
● Main contour and connection size

Unit : mm

Size	JIS10K/PN16		H1	H2	L	L1	L2	KG
	ΦD	n-ΦM1						
DN50	120	4-M16	209	80	42	32	176	/
	125	4-M16						
DN65	140	4-M16	215	89	45	47	176	/
	145	4-M16						
DN80	150	8-M16	223	95	45	65	176	/
	160	4-M16						
DN100	175	8-M16	247	114	52.1	91	215	/
	180	8-M16						
DN125	210	8-M20	269	127	55	112	260	/
	210	8-M16						
DN150	240	8-M20	278	139	56	146	260	/
	240	8-M20						

PRO UNI-D CO., LTD.

FLANGE TYPE SS LEVER BUTTERFLY VALVE



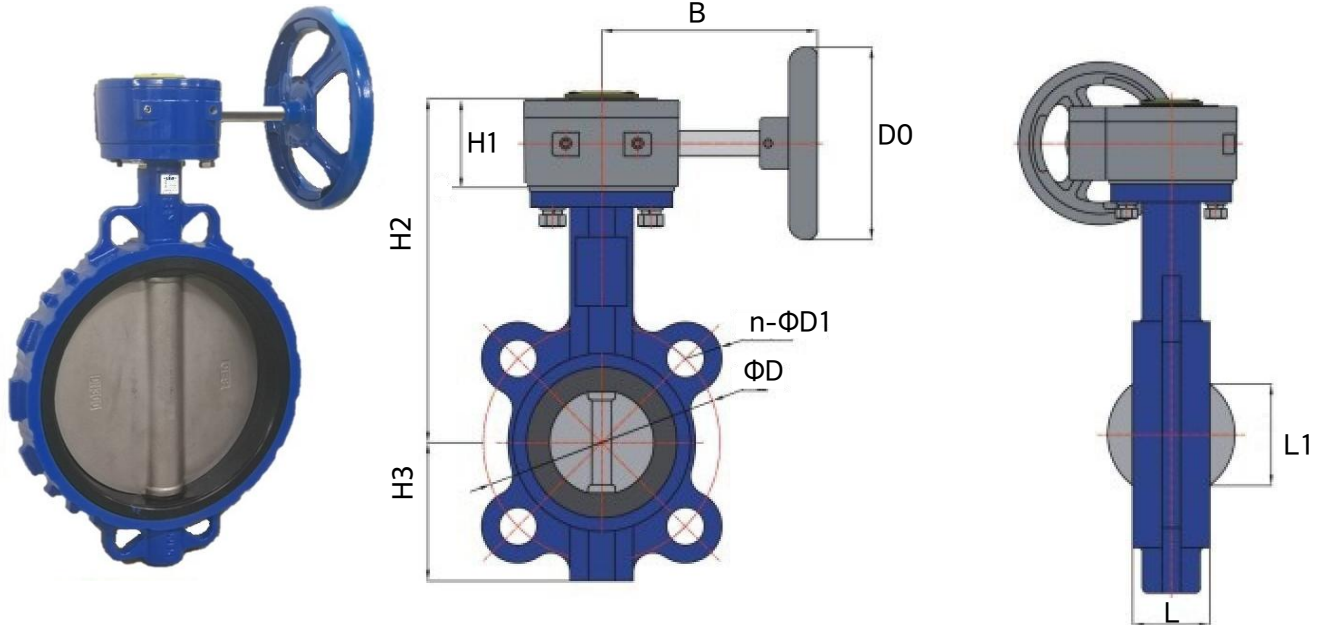
● Main contour and connection size

Unit : mm

Size	JIS10K/PN16		H1	H2	L	ΦA	L1	KG
	ΦD	n-ΦD1						
DN50	120	4-Φ 19	183	82.5	110	165	176	7.36
	125	4-Φ 19						
DN65	140	4-Φ 19	196	93	114	185	176	8.59
	145	4-Φ 19						
DN80	150	8-Φ 19	208	100	116	200	176	9.69
	160	8-Φ 19						
DN100	175	8-Φ 19	232	110	129	220	215	13.17
	180	8-Φ 19						
DN125	210	8-Φ 23	252	125	142	250	260	16.46
	210	8-Φ 19						
DN150	240	8-Φ 23	272	143	142	285	260	21.81
	240	8-Φ 23						

PRO UNI-D CO., LTD.

WAFER TYPE GEAR BUTTERFLY VALVE WITH BACK SEAT



● Main contour and connection size

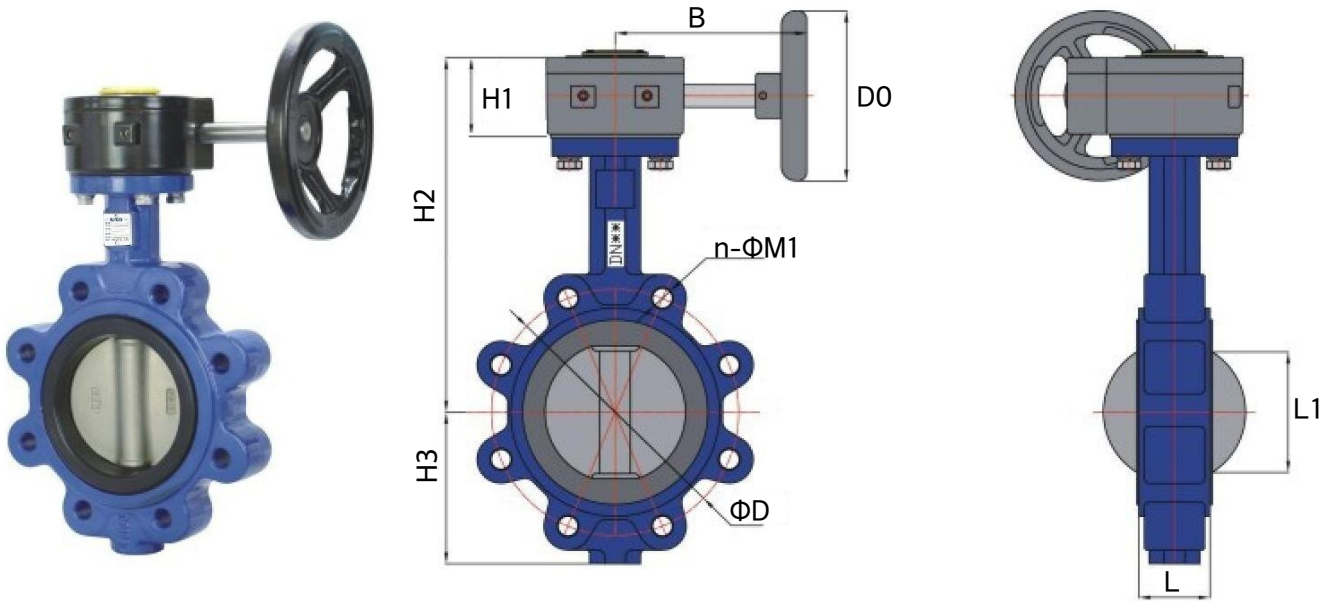
Unit : mm

Size	JIS10K/PN16		H1	H2	H3	L	L1	B	D0	KG
	ΦD	n-ΦD1								
DN50	120	4-Φ 19	51	181	70	42	32	131	121	3.23
	125	4-Φ 19								
DN65	140	4-Φ 19	51	194	80	45	47	131	121	3.71
	145	4-Φ 19								
DN80	150	8-Φ 19	51	206	94	45	65	131	121	4.30
	160	8-Φ 19								
DN100	175	8-Φ 19	58.5	228.5	108	52.1	91	143.5	160	6.42
	180	8-Φ 19								
DN125	210	8-Φ 23	58.5	248.5	122	55	112	143.5	160	7.58
	210	8-Φ 19								
DN150	240	8-Φ 23	58.5	268.5	134	56	146	143.5	160	8.89
	240	8-Φ 23								
DN200	290	12-Φ 23	60	303	167	61	194	181	250	15.14
	295	12-Φ 23								
DN250	355	12-Φ 25	60	342	203	66	242	181	250	21.94
	355	12-Φ 28								
DN300	400	16-Φ 25	76.5	386.5	241	77	292	232.5	300	35.01
	410	12-Φ 28								
DN350	445	16-Φ 25	76.5	429.5	267	77	325	232.5	300	42.54
	470	16-Φ 28								
DN400	510	16-Φ 27	101	504	303	87	380	262	350	64.55
	525	16-Φ 31								
DN450	565	20-Φ 27	101	531	325	105	428	262	350	85.00
	585	20-Φ 31								
DN500	620	20-Φ 27	175	656	356	130	474	317	300	123.65
	650	20-Φ 34								
DN600	730	24-Φ 33	186	747	452	152	573	334	300	221.05
	770	20-Φ 37								

Universal connecting interface: PN10, PN16, ANSI150LB & JIS10K for DN50~ DN300.

PRO UNI-D CO., LTD.

LUG TYPE GEAR BUTTERFLY VALVE WITH BACK SEAT



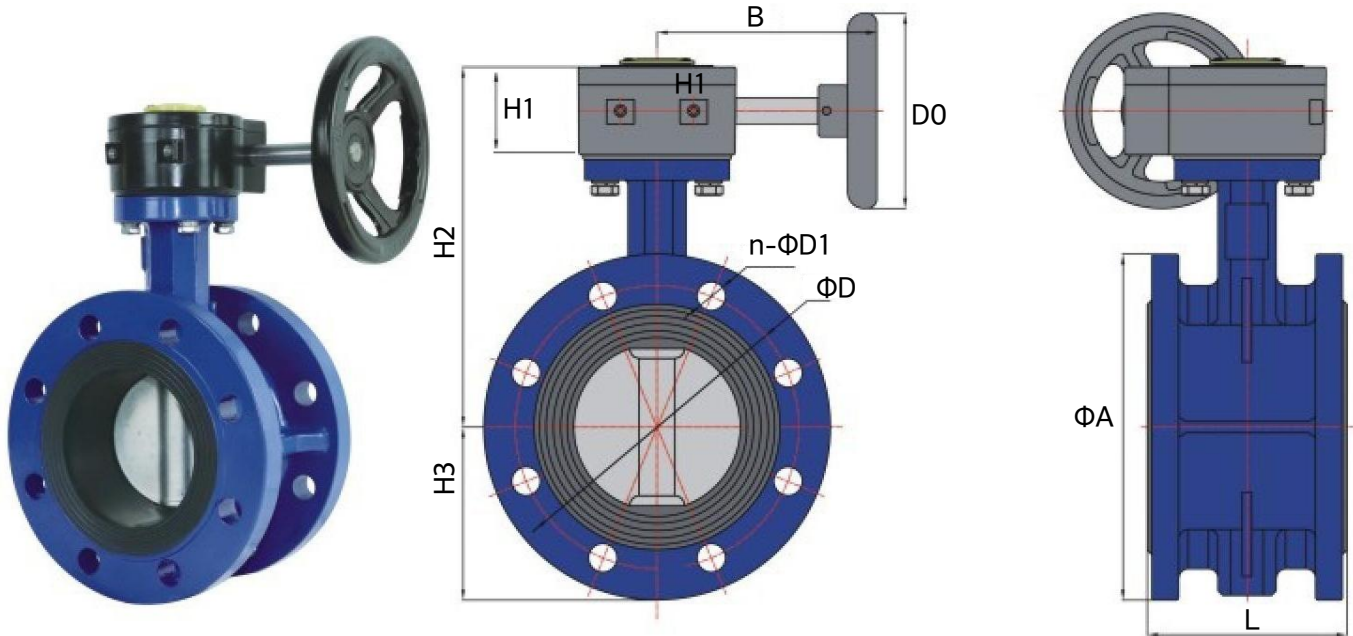
● Main contour and connection size

Unit : mm

Size	JIS10K/PN16		H1	H2	H3	L	L1	B	D0	KG
	ΦD	n-ΦM1								
DN50	120	4-Φ M16	51	181	70	42	32	131	121	4.44
	125	4-Φ M16								
DN65	140	4-Φ M16	51	194	80	45	47	131	121	5.39
	145	4-Φ M16								
DN80	150	8-Φ M16	51	206	94	45	65	131	121	5.64
	160	8-Φ M16								
DN100	175	8-Φ M16	58.5	228.5	108	52.1	91	143.5	160	9.24
	180	8-Φ M16								
DN125	210	8-Φ M20	58.5	248.5	122	55	112	143.5	160	11.69
	210	8-Φ M16								
DN150	240	8-Φ M20	58.5	268.5	134	56	146	143.5	160	13.07
	240	8-Φ M20								
DN200	290	12-Φ M20	60	303	178	61	194	181	250	21.80
	295	12-Φ M20								
DN250	355	12-Φ M22	60	342	208	66	242	181	250	31.22
	355	12-Φ M24								
DN300	400	16-Φ M22	76.5	386.5	246	77	292	232.5	300	49.62
	410	12-Φ M24								
DN350	445	16-Φ M22	76.5	448.5	270	77	325	232.5	300	64.53
	470	16-Φ M24								
DN400	510	16-Φ M24	101	501	297	87	380	262	350	106.75
	525	16-Φ M27								
DN450	565	20-Φ M24	101	523	318	105	428	262	350	129.25
	585	20-Φ M27								
DN500	620	20-Φ M24	175	655	348	130	474	317	300	170.00
	650	20-Φ M30								
DN600	730	24-Φ M30	186	748	444	152	573	334	300	291.00
	770	20-Φ M33								

PRO UNI-D CO., LTD.

FLANGE TYPE GEAR BUTTERFLY VALVE



● Main contour and connection size

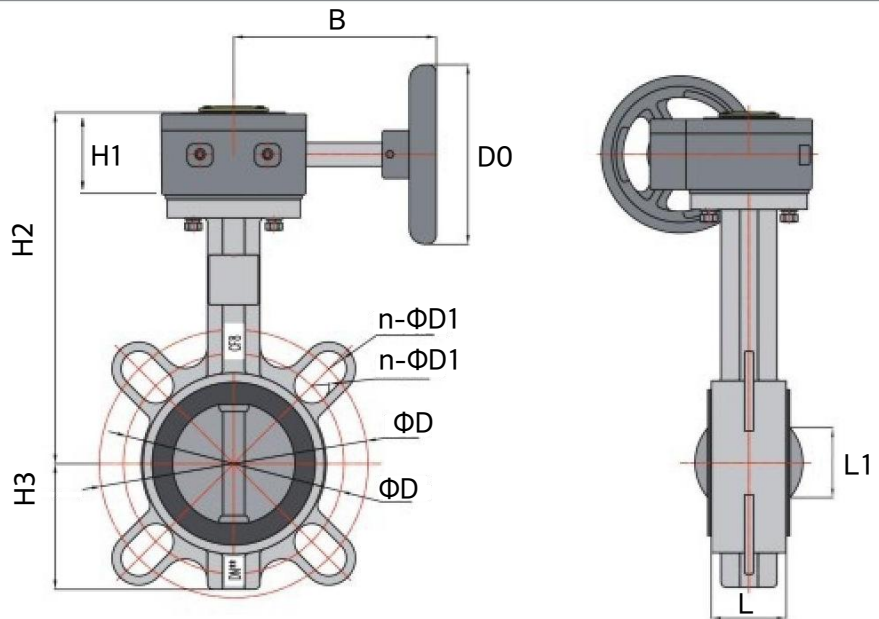
Unit : mm

Size	JIS10K/PN16		H1	H2	H3	L	ΦA	B	D0	KG
	ΦD	n-ΦD1								
DN50	120	4-Φ 19	51	181	82.5	110	165	131	121	7.65
	125	4-Φ 19								
DN65	140	4-Φ 19	51	194	93	114	185	131	121	9.56
	145	4-Φ 19								
DN80	150	8-Φ 19	51	206	100	116	200	131	121	10.47
	160	8-Φ 19								
DN100	175	8-Φ 19	58.5	228.5	110	129	220	143.5	160	13.62
	180	8-Φ 19								
DN125	210	8-Φ 23	58.5	248.5	125	142	250	143.5	160	19.60
	210	8-Φ 19								
DN150	240	8-Φ 23	58.5	268.5	143	142	285	143.5	160	21.60
	240	8-Φ 23								
DN200	290	12-Φ 23	60	303	170	154	340	181	250	34.84
	295	12-Φ 23								
DN250	355	12-Φ 25	60	342	203	167	405	181	250	47.51
	355	12-Φ 28								
DN300	400	16-Φ 25	76.5	386.5	230	180	460	232.5	300	68.60
	410	12-Φ 28								
DN350	445	16-Φ 25	76.5	429.5	260	192	520	232.5	300	86.00
	470	16-Φ 28								
DN400	510	16-Φ 27	101	441	278	218	580	262	350	104.00
	525	16-Φ 31								
DN450	565	20-Φ 27	101	476	315	224	640	262	350	150.00
	585	20-Φ 31								
DN500	620	20-Φ 27	175	605	348	231	715	317	300	229.00
	650	20-Φ 34								
DN600	730	24-Φ 33	186	686	410	270	840	334	300	312.00
	770	20-Φ 37								

Universal connecting interface: PN10, PN16, ANSI150LB & JIS10K for DN50~ DN300.

PRO UNI-D CO., LTD.

WAFER TYPE SS GEAR BUTTERFLY VALVE WITH BACK SEAT



● Main contour and connection size

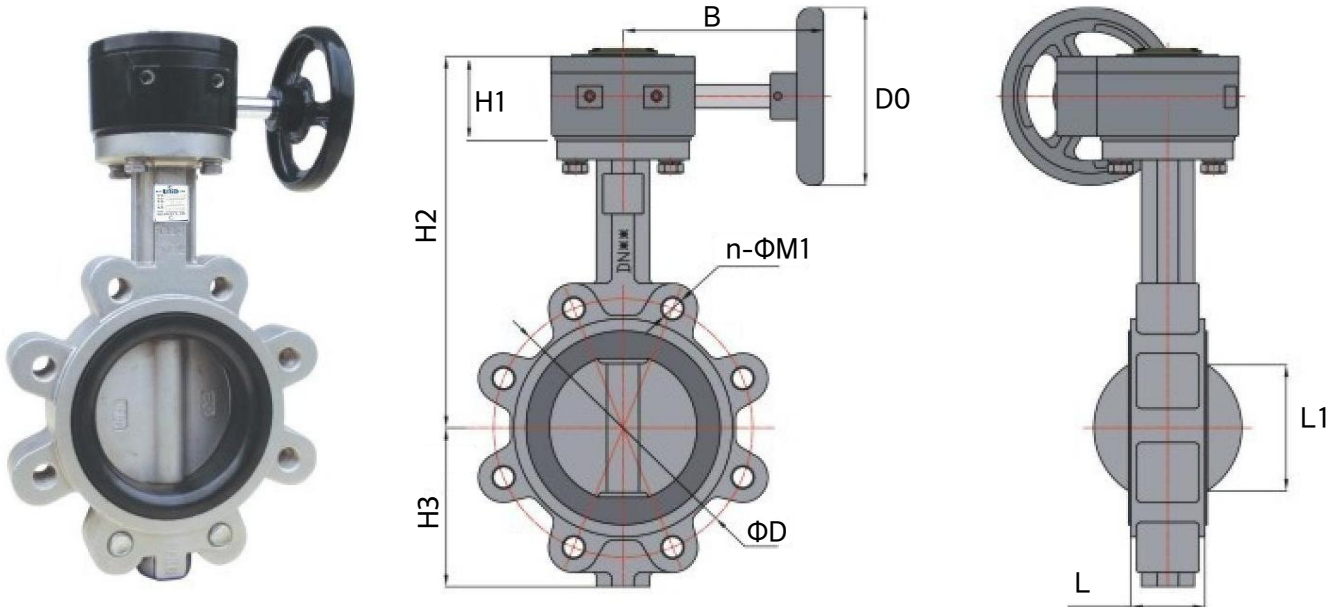
Unit : mm

Size	JIS10K/PN16		H1	H2	H3	L	L1	B	D0	KG
	ΦD	n-ΦD1								
DN50	120	4-Φ 19	51	181	59	42	32	131	121	2.89
	125	4-Φ 19								
DN65	140	4-Φ 19	51	194	68	45	47	131	121	3.22
	145	4-Φ 19								
DN80	150	8-Φ 19	51	206	89	45	65	131	121	3.64
	160	8-Φ 19								
DN100	175	8-Φ 19	58.5	228.5	103	52.1	91	143.5	160	5.79
	180	8-Φ 19								
DN125	210	8-Φ 23	58.5	248.5	117	55	112	143.5	160	7.32
	210	8-Φ 19								
DN150	240	8-Φ 23	58.5	268.5	130	56	146	143.5	160	8.92
	240	8-Φ 23								
DN200	290	12-Φ 23	60	303	164	61	194	181	250	15.14
	295	12-Φ 23								
DN250	355	12-Φ 25	60	342	195	66	242	181	250	22.00
	355	12-Φ 28								
DN300	400	16-Φ 25	76.5	386.5	232	77	292	232.5	300	33.40
	410	12-Φ 28								
DN350	445	16-Φ 25	76.5	429.5	277.6	77	325	232.5	300	37.00
	470	16-Φ 28								
DN400	510	16-Φ 27	101	480.5	312.5	87	380	262	350	56.00
	525	16-Φ 31								
DN450	565	20-Φ 27	101	518	330	105	428	262	350	73.00
	585	20-Φ 31								
DN500	620	20-Φ 27	175	642.5	381.5	130	474	317	300	108.00
	650	20-Φ 34								
DN600	730	24-Φ 33	186	748	459	152	573	334	300	205.00
	770	20-Φ 37								

Universal connecting interface: PN10, PN16, ANSI150LB & JIS10K for DN50~ DN300.

PRO UNI-D CO., LTD.

LUG TYPE SS GEAR BUTTERFLY VALVE WITH BACK SEAT



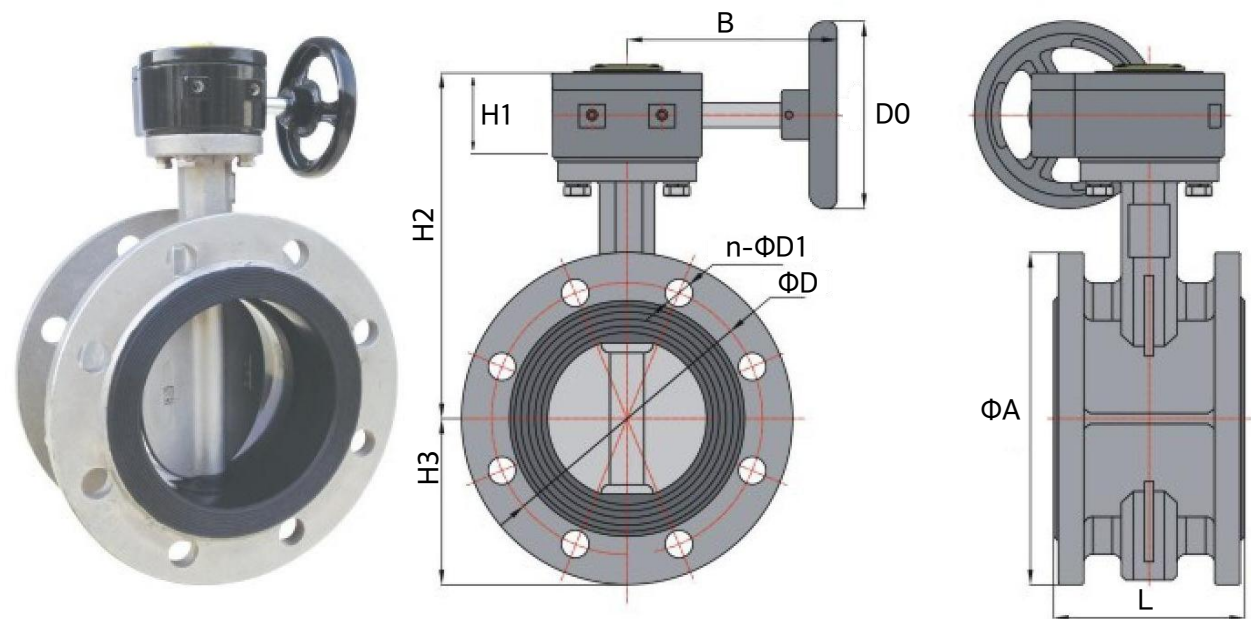
● Main contour and connection size

Unit : mm

Size	JIS10K/PN16		H1	H2	H3	L	L1	B	D0
	ΦD	n-ΦM1							
DN50	120	4-Φ M16	51	207	80	42	32	131	121
	125	4-Φ M16							
DN65	140	4-Φ M16	51	213	89	45	47	131	121
	145	4-Φ M16							
DN80	150	8-Φ M16	51	221	95	45	65	131	121
	160	8-Φ M16							
DN100	175	8-Φ M16	58.5	243.5	114	52.1	91	143.5	160
	180	8-Φ M16							
DN125	210	8-Φ M20	58.5	265.5	127	55	112	143.5	160
	210	8-Φ M16							
DN150	240	8-Φ M20	58.5	274.5	139	56	146	143.5	160
	240	8-Φ M20							
DN200	290	12-Φ M20	60	316	175	61	194	181	250
	295	12-Φ M20							
DN250	355	12-Φ M22	60	352	203	66	242	181	250
	355	12-Φ M24							
DN300	400	16-Φ M22	76.5	413.5	242	77	292	232.5	300
	410	12-Φ M24							
DN350	445	16-Φ M22	76.5	444.5	267	77	325	232.5	300
	470	16-Φ M24							
DN400	510	16-Φ M24	101	483.5	314.5	87	380	262	350
	525	16-Φ M27							
DN450	565	20-Φ M24	101	521	310	105	428	262	350
	585	20-Φ M27							
DN500	620	20-Φ M24	175	655	350	130	474	317	300
	650	20-Φ M30							
DN600	730	24-Φ M30	186	746	440	152	573	334	300
	770	20-Φ M33							

PRO UNI-D CO., LTD.

FLANGE TYPE SS GEAR BUTTERFLY VALVE



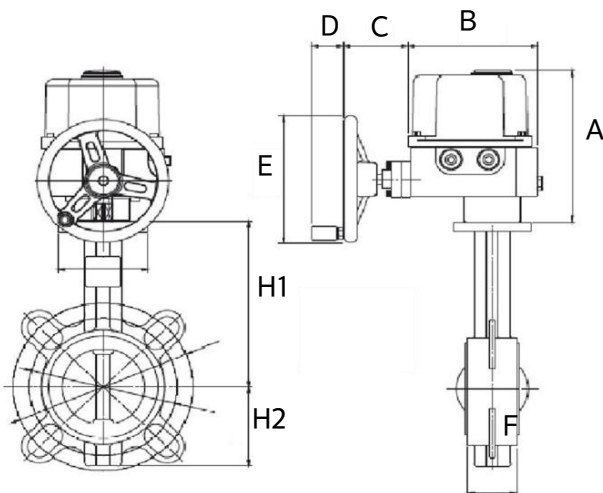
● Main contour and connection size

Unit : mm

Size	JIS10K/PN16		H1	H2	H3	L	ΦA	B	D0	KG
	ΦD	n-ΦD1								
DN50	120	4-Φ 19	51	181	82.5	110	165	131	121	8.23
	125	4-Φ 19								
DN65	140	4-Φ 19	51	194	93	114	185	131	121	9.45
	145	4-Φ 19								
DN80	150	8-Φ 19	51	206	100	116	200	131	121	10.56
	160	8-Φ 19								
DN100	175	8-Φ 19	58.5	228.5	110	129	220	143.5	160	14.52
	180	8-Φ 19								
DN125	210	8-Φ 23	58.5	248.5	125	142	250	143.5	160	17.70
	210	8-Φ 19								
DN150	240	8-Φ 23	58.5	268.5	143	142	285	143.5	160	23.05
	240	8-Φ 23								
DN200	290	12-Φ 23	60	303	170	154	340	181	250	32.69
	295	12-Φ 23								
DN250	355	12-Φ 25	60	342	203	167	405	181	250	52.11
	355	12-Φ 28								
DN300	400	16-Φ 25	76.5	386.5	230	180	460	232.5	300	66.20
	410	12-Φ 28								
DN350	445	16-Φ 25	76.5	424.5	252.5	192	520	232.5	300	N/A
	470	16-Φ 28								
DN400	510	16-Φ 27	101	476	282.5	218	580	262	350	N/A
	525	16-Φ 31								
DN450	565	20-Φ 27	101	545	307.5	224	640	262	350	N/A
	585	20-Φ 31								
DN500	620	20-Φ 27	175	605	335	231	715	317	300	N/A
	650	20-Φ 34								
DN600	730	24-Φ 33	186	660	390	270	840	334	300	N/A
	770	20-Φ 37								

PRO UNI-D CO., LTD.

WAFER TYPE BUTTERFLY VALVE WITH ELECTRIC ACTUATOR



Ingress Protection Rating	IP67 for Nylon /IP68 for Aluminum
Ambient Temperature	-10~60℃
Humidity	30%~95%
Manual	Hand Wheel
Operating voltage	AC24V/AC110V / AC220V DC12V / DC24V 3 phase AC380V / AC440V
Optional function	Extra limit switch, Failsafe, Heater, Modulating, Aluminum housing

Material of Parts

Housing	Nylon, Aluminum Alloy
Base	Aluminum Alloy
Body	FC · FCD
Disc	FCD · SS304 · SS316
Seat	NBR · EPDM · VITON · SILICONE · PTFE
Stem	SS416 · SS304 · SS316

Model

Model	AC					DC			
	Open / Close SEC	Watt	Torque AC110V	Torque AC220V	No-load Current	Open / Close SEC	Watt	Torque	No-Loadcurrent Consumption
UM-3-1	8	25W	140 N/m	150 N/m	0.6A	8	30W	150 N/m	0.3A
UM-4	30	25W	310 N/m	330 N/m	0.6A	30	30W	350 N/m	0.5A
UM-5	30	40W	420 N/m	480 N/m	0.6A	N/A	N/A	N/A	N/A
UM-6	30	60W	560 N/m	600 N/m	0.7A	30	65W	600 N/m	0.8A

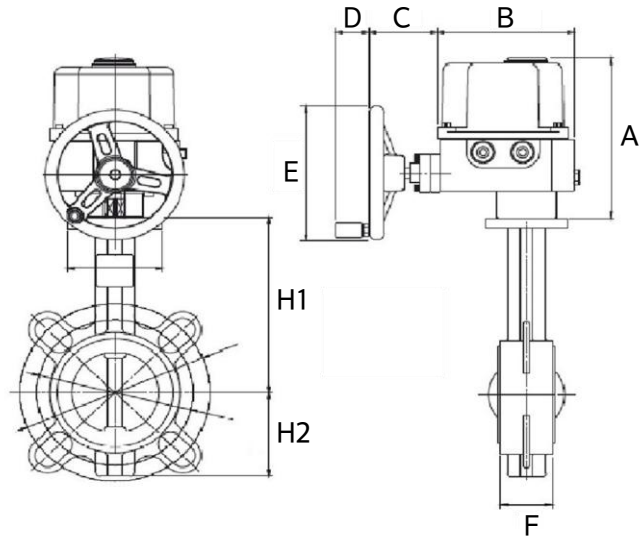
Main contour and connection size

Unit:mm

Size	Model	B	D	H1	H2	L	M	N	G	Weight(KG)
2-1/2"	UM-3-1	218	173	80	143	45	87	42	180	9
3"	UM-3-1	218	173	94	155	45	87	42	180	9.2
4"	UM-3-1	218	173	110	170	52	87	42	180	9.5
5"	UM-3-1	218	173	122	190	55	87	42	180	10.2
6"	UM-4	244	173	134	210	56	87	42	180	16.5
8"	UM-4	244	173	167	243	61	87	42	180	21.6
10"	UM-5	276	173	203	282	66	87	42	180	28.6
12"	UM-6	276	173	241	310	77	87	42	180	40

PRO UNI-D CO., LTD.

WAFER TYPE SS BUTTERFLY VALVE WITH ELECTRIC ACTUATOR



Ingress Protection Rating	IP67 for Nylon /IP68 for aluminum
Ambient Temperature	-10~60°C
Humidity	30%~95%
Manual	Hand Wheel
Operating voltage	AC24V/AC110V / AC220V / DC12V / DC24V 3 phase AC380V / AC440V
Optional function	Extra limit switch, failsafe, heater, modulating, aluminum housing

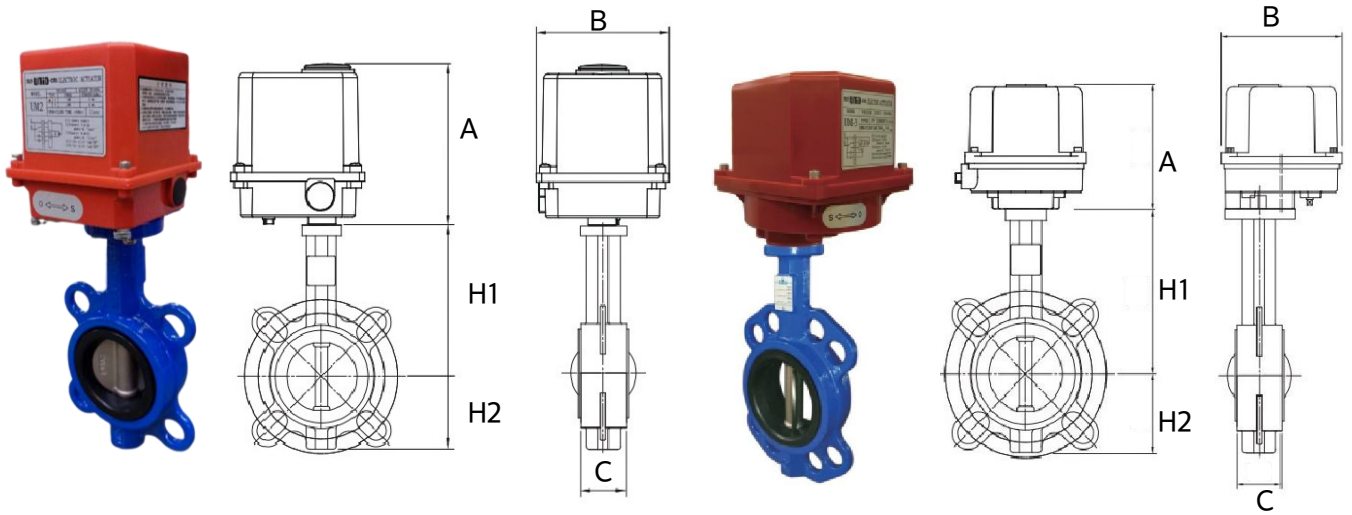
● Material of parts	
Housing	Nylon, Aluminum Alloy
Base	Aluminum Alloy
Body	SS304 · SS316
Disc	SS304 · SS316
Stem	NBR · EPDM · VITON · SILICONE · PTFE

● Model									
Model	AC					DC			
	Open/Close SEC	Watt	Torque 110V	Torque 220V	No-load Current	Open/Close SEC	Watt	Torque	No-load Current
UM-3-1	8	25W	140 N/m	150 N/m	0.6A	8	30W	150 N/m	0.3A
UM-4	30	25W	310 N/m	330 N/m	0.6A	30	30W	350 N/m	0.5A
UM-5	30	40W	420 N/m	480 N/m	0.6A	N/A	N/A	N/A	N/A
UM-6	30	60W	560 N/m	600 N/m	0.7A	30	65W	600 N/m	0.8A

● Main contour and connection size										Unit:mm
SIZE	ACTUATOR ITEM NO.	B	D	H1	H2	L	M	N	G	WEIGHT
2-1/2"	UM-3-1	218	173	68	143	45	87	42	180	6.5
3"	UM-3-1	218	173	89	155	45	87	42	180	8.5
4"	UM-3-1	218	173	103	170	52	87	42	180	9.5
5"	UM-3-1	218	173	117	190	55	87	42	180	10.5
6"	UM-4	244	173	130	210	56	87	42	180	15
8"	UM-4	244	173	164	243	61	87	42	180	21
10"	UM-5	276	173	195	282	66	87	42	180	34
12"	UM-6	276	173	232	310	77	87	42	180	44.2

PRO UNI-D CO., LTD.

WAFER TYPE BUTTERFLY VALVE WITH ELECTRIC ACTUATOR



Ingress Protection Rating	IP67 for Nylon /IP68 for Aluminum
Ambient Temperature	-10~60°C
Humidity	30%~95%
Manual	Manual Override
Operating voltage	AC24V/AC110V / AC220V DC12V / DC24V 3 phase AC380V / AC440V
Optional function	Extra limit switch, Failsafe, Heater, Modulating, Aluminum housing

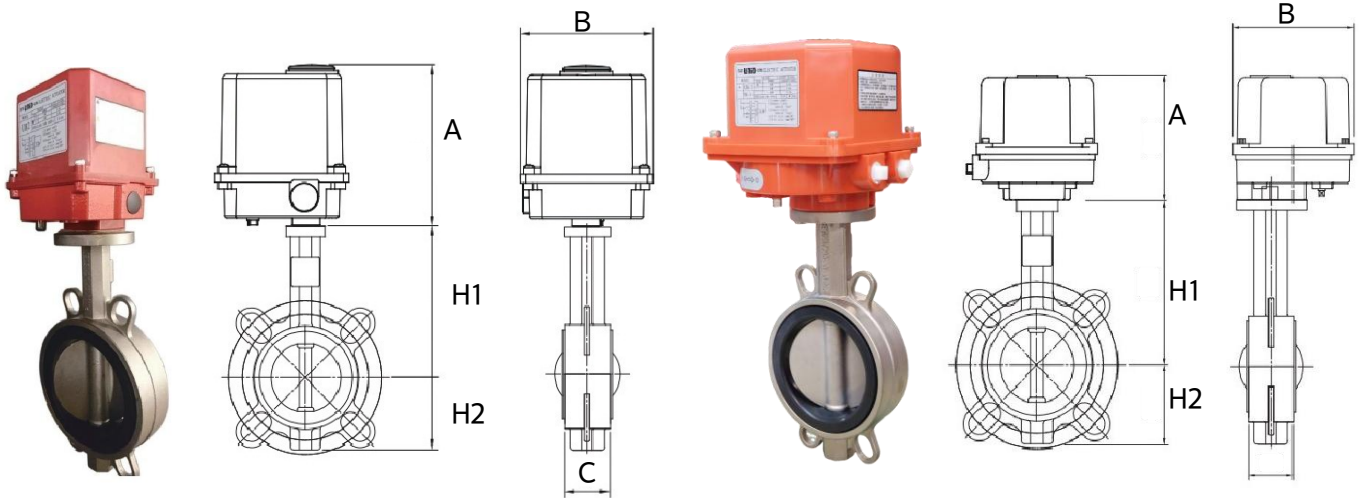
Material of Parts	
Housing	Nylon, Aluminum Alloy
Base	Nylon, Aluminum Alloy
Body	FC、FCD
Disc	FCD、SS304、SS316
Seat	NBR、EPDM、VITON、SILICONE、PTFE
Stem	SS416、SS304、SS316

Model									
Model	AC					DC			
	Open/Close SEC	Watt	Torque AC110V	Torque AC220V	No-load Current	Open/Close SEC	Watt	Torque	No-load Current
UM-2-5~7	11	15W	50 N/m	50 N/m	0.4A	16	10W	70 N/m	0.1A
UM-3	8	25W	140 N/m	150 N/m	0.6A	8	30W	150 N/m	0.5A

Main contour and connection size							Unit:mm	
Size	Model	B	D	H1	H2	L	Weight(KG)	
2"	UM-2-5	145	118	70	130	42	4	
2-1/2"	UM-2-5	145	118	80	143	45	4.5	
3"	UM-2-5	145	118	94	155	45	5	
4"	UM-3	172	165	110	170	52	9	
5"	UM-3	172	165	122	190	55	10.2	

PRO UNI-D CO., LTD.

WAFER TYPE SS BUTTERFLY VALVE WITH ELECTRIC ACTUATOR



Ingress Protection Rating	IP67 for Nylon /IP68 for Aluminum
Ambient Temperature	-10~60℃
Humidity	30%~95%
Manual	Manual Override
Operating voltage	AC24V/AC110V / AC220V DC12V / DC24V 3 phase AC380V / AC440V
Optional function	Extra limit switch, Failsafe, Heater, Modulating, Aluminum housing

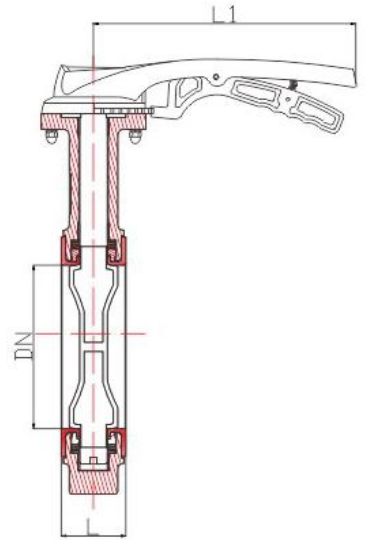
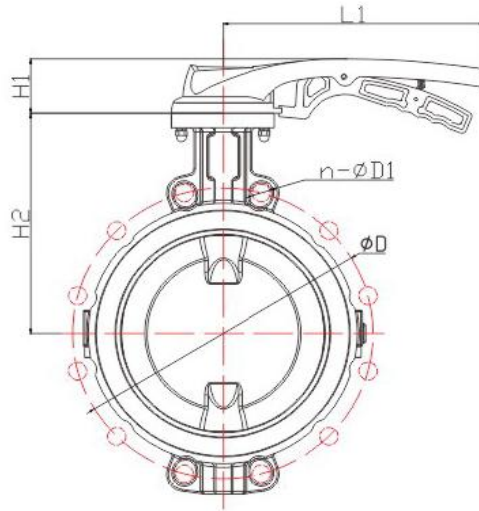
● Material of Parts	
Housing	Nylon, Aluminum Alloy
Base	Nylon, Aluminum Alloy
Body	SS304、SS316
Disc	SS304、SS316
Seat	NBR、EPDM、VITON、SILICONE、PTFE
Stem	SS416、SS304、SS316

● Model									
Model	AC					DC			
	Open/Close SEC	Watt	Torque AC110V	Torque AC220V	No-load Current	Open/Close SEC	Watt	Torque	No-load Current
UM-2.5~7	11	15W	50 N/m	50 N/m	0.4A	16	10W	70 N/m	0.1A
UM-3	8	25W	140 N/m	150 N/m	0.6A	8	30W	150 N/m	0.5A

● Main contour and connection size								Unit:mm	
Size	Model	B	D	H1	H2	L	Weight(KG)		
2"	UM-2-5	145	118	59	130	42	4		
2-1/2"	UM-2-5	145	118	68	143	45	5		
3"	UM-2-5	145	118	89	155	45	5		
4"	UM-3	172	165	103	170	52	10		
5"	UM-3	172	165	117	190	55	11		

PRO UNI-D CO., LTD.

WAFER TYPE LEVER PTFE LINED BUTTERFLY VALVE



Material of main parts

Parts	Materials
Operating Type	Lever, aluminum handle, Stainless Steel
Body	WCB, SS304, SS316
Disc	WCB-PTFE, SS304-PTFE, SS316-PTFE
Seat	PTFE
Stem	SS416, SS420, SS304, SS316
Size	DN40~DN150
Pressure	1.0 / 1.6MPa

Main contour and connection size

Unit : mm

SIZE	PN10		PN16		ANSI150		JIS10K		H1	H2	L	L1	KG
	φD	n-φD1	φD	n-φD1	φD	n-φD1	φD	n-φD1					
DN40	110	4-φ19	110	4-φ19	98.5	4-φ16	105	4-φ19	53	114.5	33	176	2.87
DN50	125	4-φ19	125	4-φ19	120.6	4-φ19	120	4-φ19	53	133	43	176	3.37
DN65	145	4-φ19	145	4-φ19	139.7	4-φ19	140	4-φ19	53	150	46	176	3.77
DN80	160	8-φ19	160	8-φ19	152.4	4-φ19	190	8-φ19	53	157	46	176	4.37
DN100	180	8-φ19	180	8-φ19	190.5	8-φ19	175	8-φ19	62	180	52	215	6.37
DN125	210	8-φ19	210	8-φ19	215.9	8-φ22.4	210	8-φ23	62	196	56	260	8.27
DN150	240	8-φ23	240	8-φ23	241.3	8-φ22.4	240	8-φ23	62	209	56	260	10.67

PRO UNI-D CO., LTD.

Model Rules Of The Preparation of Valves

Valve type	Butterfly valve type	Operating type	Pipe size	Material of valve body	Material of sealing	Connection							
CTBF	Centric Butterfly valve	W	WAHER TYPE	NN	Bare shaft	6	1/8"	FF	FC/FCD	NV	NBR	J1	JIS-10K
		F	FLANGED	FH	FC Handled	8	1/4"	F4	FC/304	EV	EPDM	A0	ANSI 125LB
		L	LUG TYPE	AH	Aluminum Handled	10	3/8"	F6	FC/316	VV	VITON	A1	ANSI 150LB
				SH	SS Handled	15	1/2"	D4	FCD/304	PV	PTFE	P1	PN 10
				FG	FC Gear Box	20	3/4"	D6	FCD/316	SV	Silicone	P2	PN 16
				AG	Aluminum Gear Box	25	1"	DD	FCD/FCD				
				SG	SS Gear Box	32	1-1/4"	B4	304/304				
						40	1-1/2"	B6	316/316				
						50	2"						
						80	3"						
						100	4"						
						125	5"						
						150	6"						
						200	8"						
						250	10"						
						300	12"						
						350	14"						
						400	16"						
						450	18"						
						500	20"						
						550	22"						
						600	24"						
						700	28"						
						800	32"						

Example: CTBF-□-□□-□□□□-□□-□□

