

100% Duty Cycle S2-15

FAST TYPE

Electric Actuator

- IP67 Ingress Protection Rating (Waterproof)
- Brushless DC motor
- 100% Duty Cycle
- Energy saving for low power



Model	Torque (N.m)		90° Open/Close (SEC)	
	DC/AC 24V	AC100~240V	DC/AC 24V	AC100~240V
UM-1-X	10	10	1	1
	35	35	10	10
UM-2-5-X	50	50	11	11

miT-UNID-cns
PRO UNI-D CO., LTD.

No.7, Ruei Yuan Street, Bade Dist.,
Taoyuan City 33447, Taiwan (R.O.C.)
TEL:886-3-3682323 FAX:886-3-3680977
E-mail : unid@unid.com.tw
grace377@unid.com.tw

IP67



Electric Actuator *BLDC series*

Product specification:

1. Power supply: AC100~240V / DC24V / AC24V

Equipped with electric circuit protection device, to replace the fuse function

2. Ambient temperature: -10°C~+55°C / Humidity: 10%~90% (25°C)

3. Motor: Brushless DC electric motor (BLDC motor)

4. Power of motor: 30W

5. Limit switch: SPDT 250VAC / 3A*2 pieces (On/Off)

6. Extra limit switch (Dry contact): SPDT 250VAC / 3A*2 pieces (On/Off)

7. Cable gland: 1/2" PF*1pc

8. Indicator: Mechanical type position indicator

9. Ingress Protection Rating (Waterproof): IP67

10. With overload torque protection

11. Manual override: When the power failure, rotate the override (by 8mm wrench) to turn on/off.

Do not rotate manually with force and avoid quick rotating

12. Material of enclosure:

Standard: Nylon / Optional: Aluminum

13. Rotary type: Quarter turn $90^{\circ} \pm 5^{\circ}$

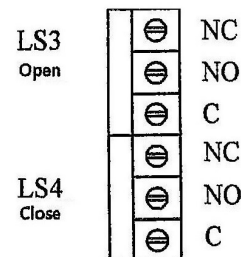
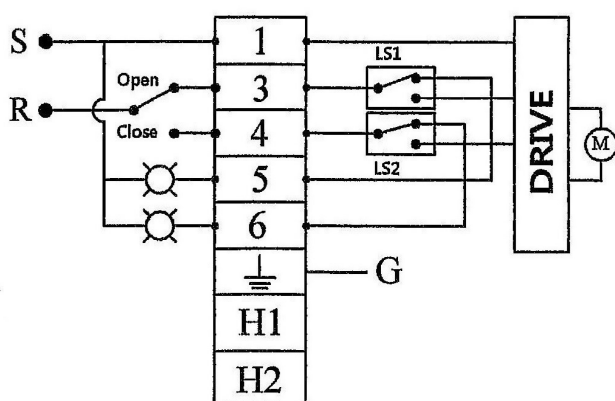
14. Duty cycle: 100% S2-15

15. Rated torque: 75%

16. Flange/Mounting type: ISO5211, F03/F04/F05/F07

Bushing: Standard 14*14mm / Optional: 9*9mm and 11*11mm

17. Wiring diagram:



Extra Limit Switch (Dry Contact)

MIT-**UNID**[®]-CNS



www.unid.com.tw

PRO UNI-D CO., LTD.

No.7, Ruei Yuan Street, Bade Dist., Taoyuan City 33447, Taiwan (R.O.C.)

TEL:886-3-3682323 FAX:886-3-3680977

E-mail : unid@unid.com.tw / grace377@unid.com.tw